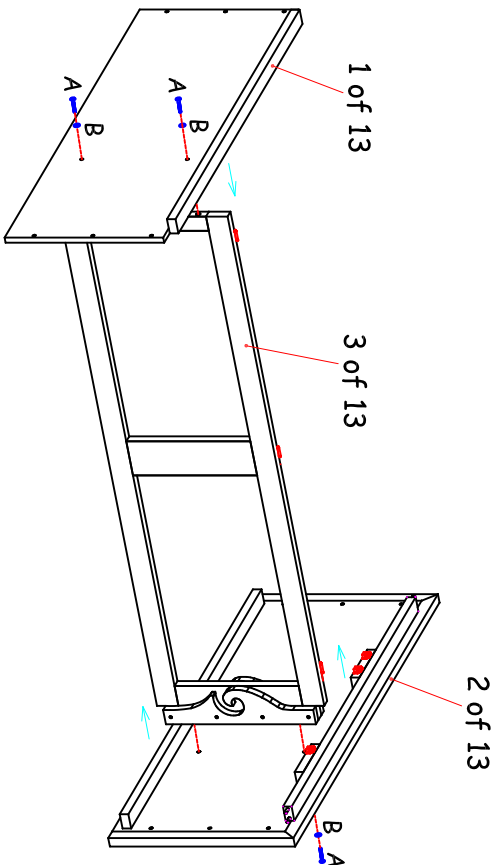


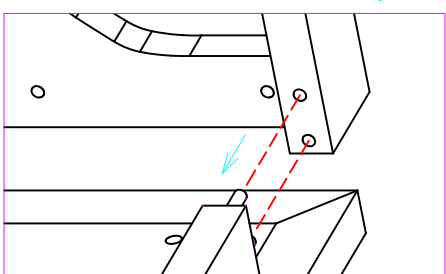
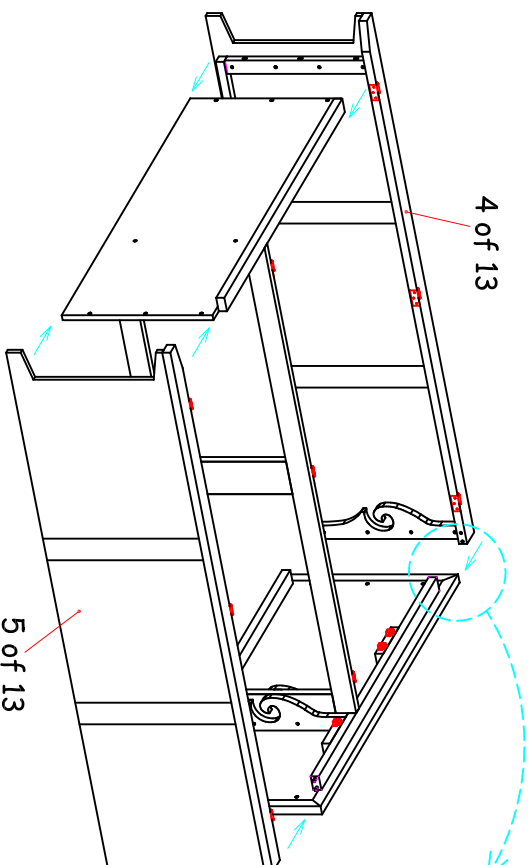
# ASSEMBLING INSTRUCTION

Material : Mango  
 Descriptions :  
 BM 19 / AB 06 WARDROBE 3 DR ( Full hanging )

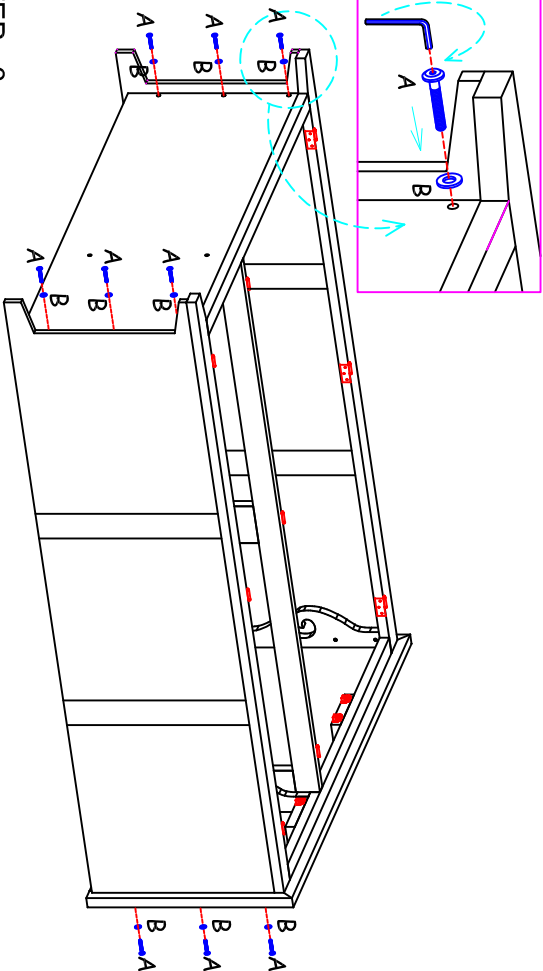
STEP - 1



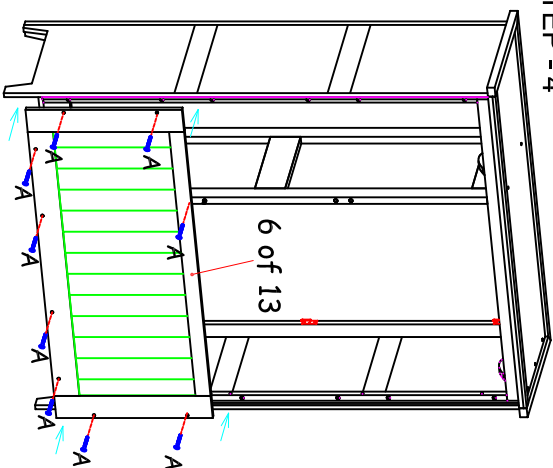
STEP - 2



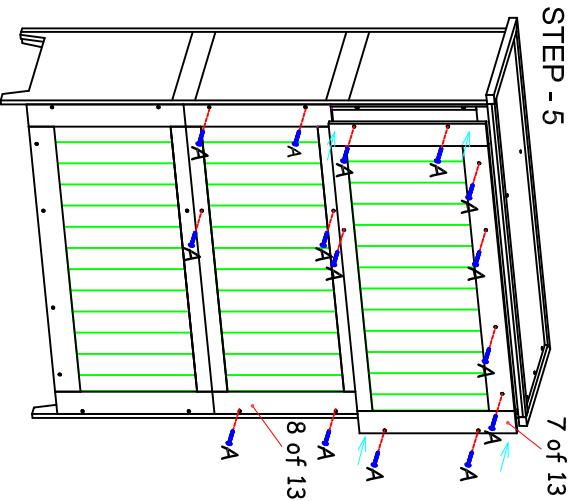
STEP - 3



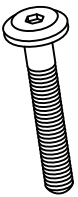
STEP - 4



STEP - 5



A = 40 Pcs



B = 16 pcs



## HARDWARE

Allen key



# ASSEMBLING INSTRUCTION

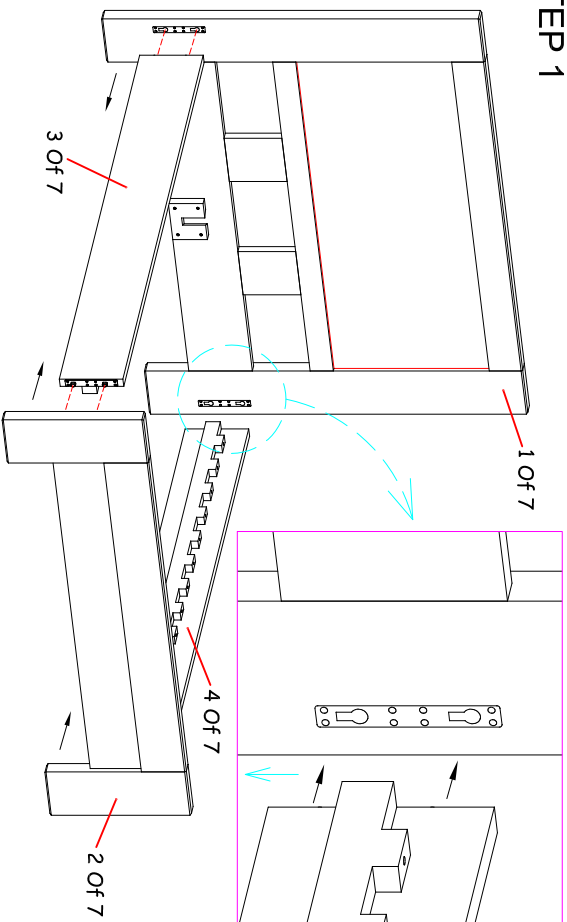
Material : Mango

Page :

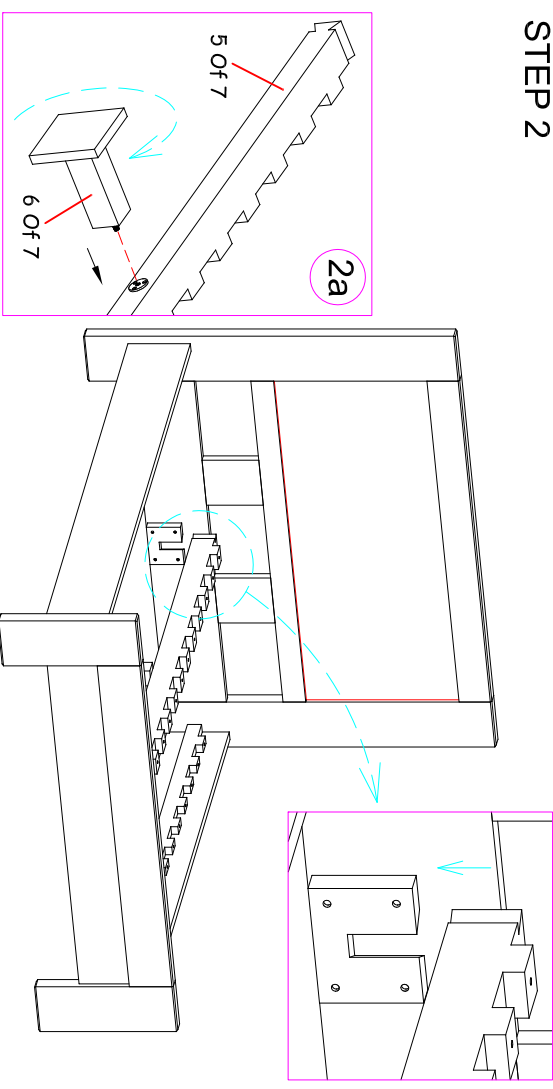
Descriptions :

BM 20 / AB 02 BEDSTEAD DOUBLE

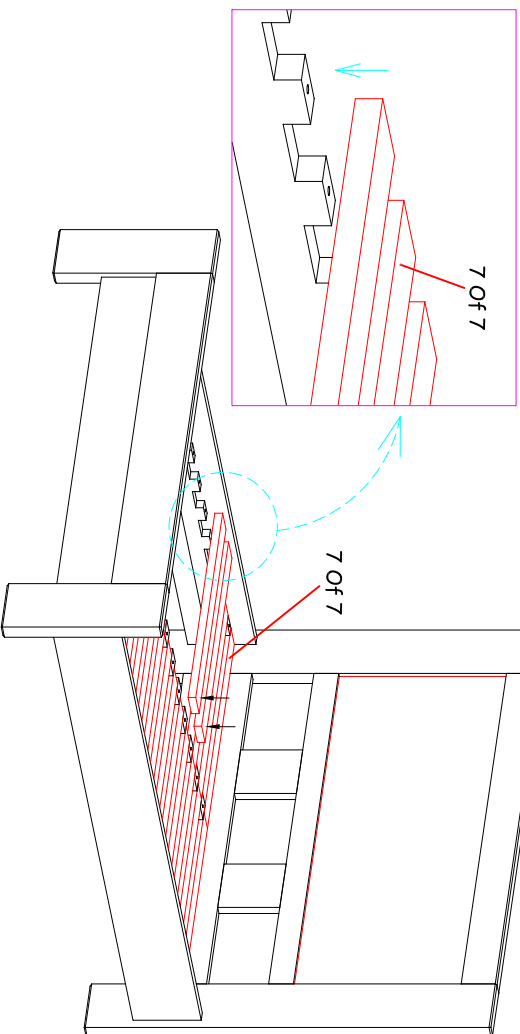
## STEP 1



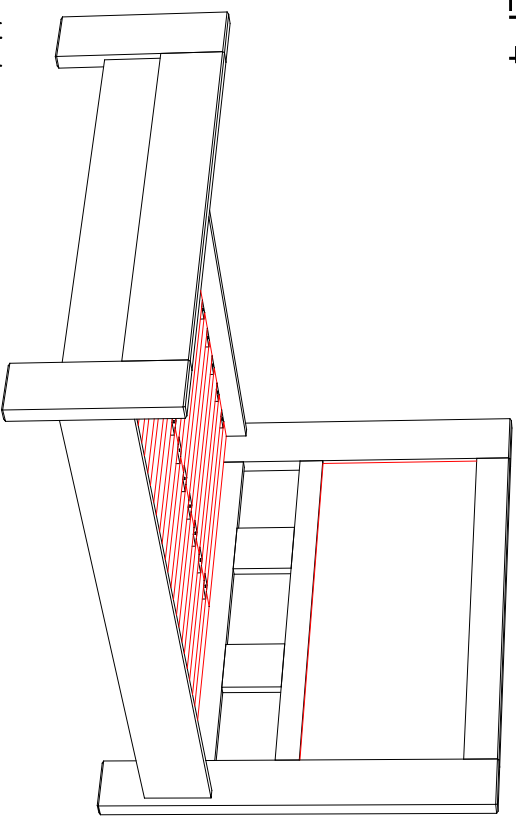
## STEP 2



## STEP 3



## STEP 4

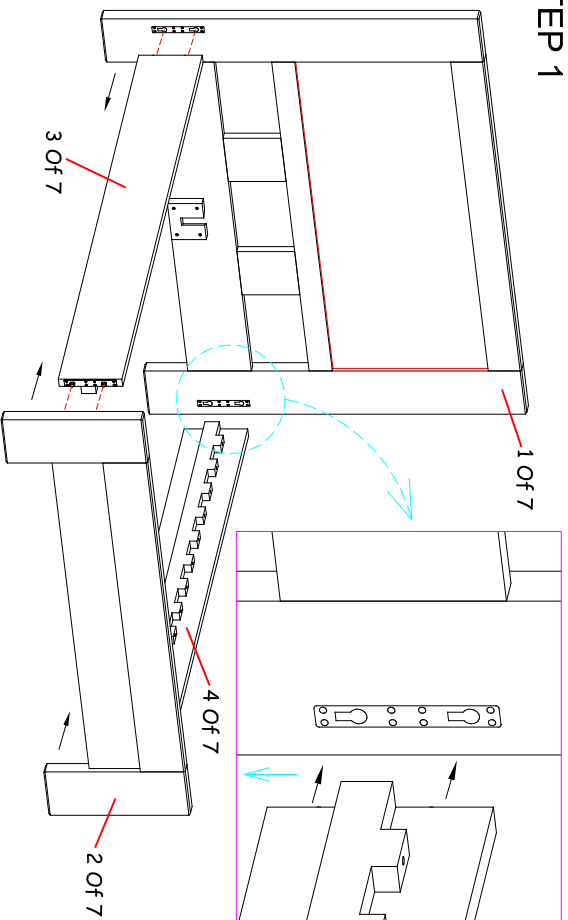


Assembled

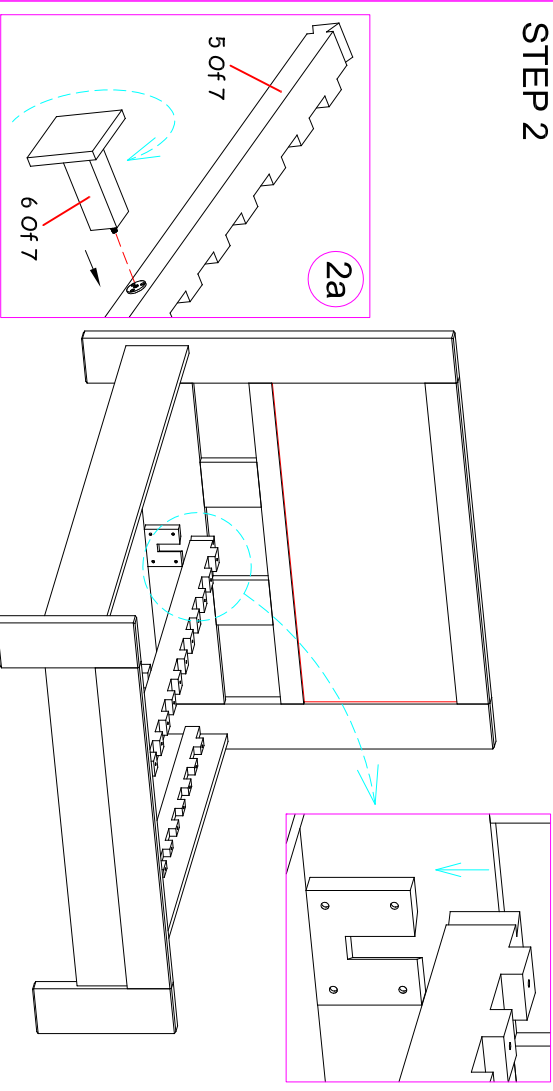
**Note :** - All hardware already fixed at goods

# ASSEMBLING INSTRUCTION

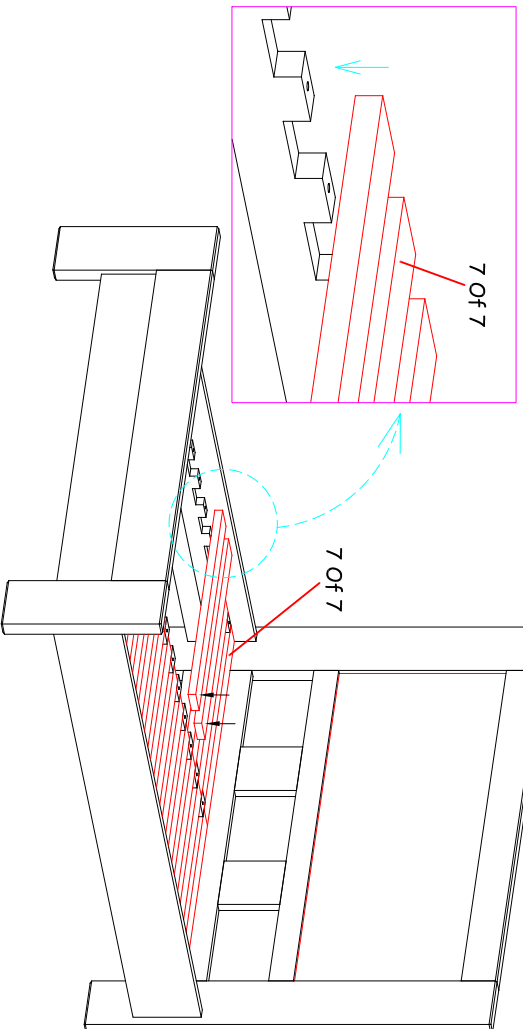
## STEP 1



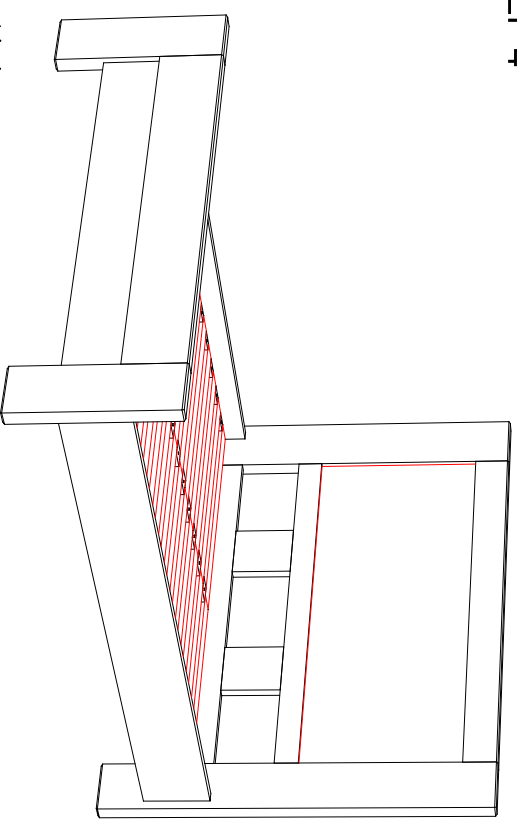
## STEP 2



## STEP 3



## STEP 4

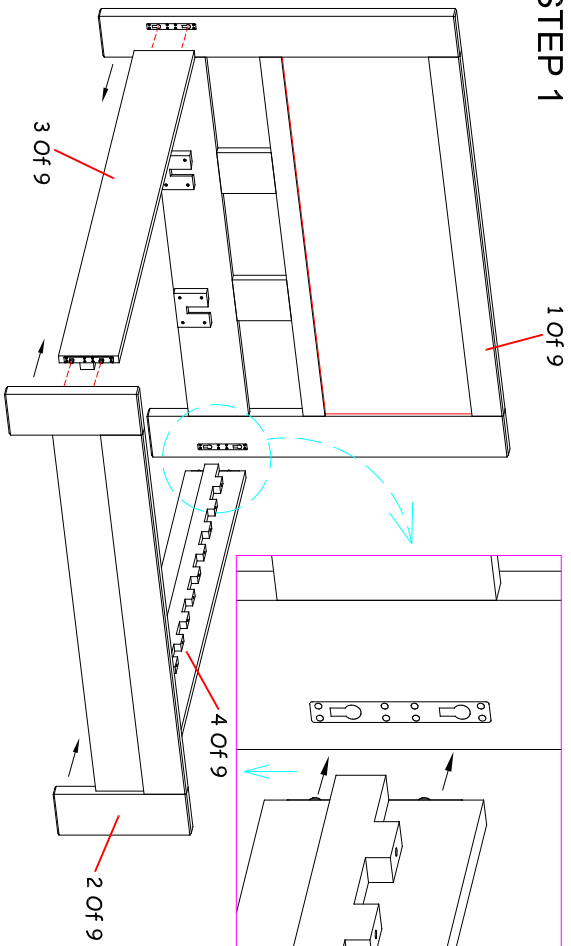


Assembled

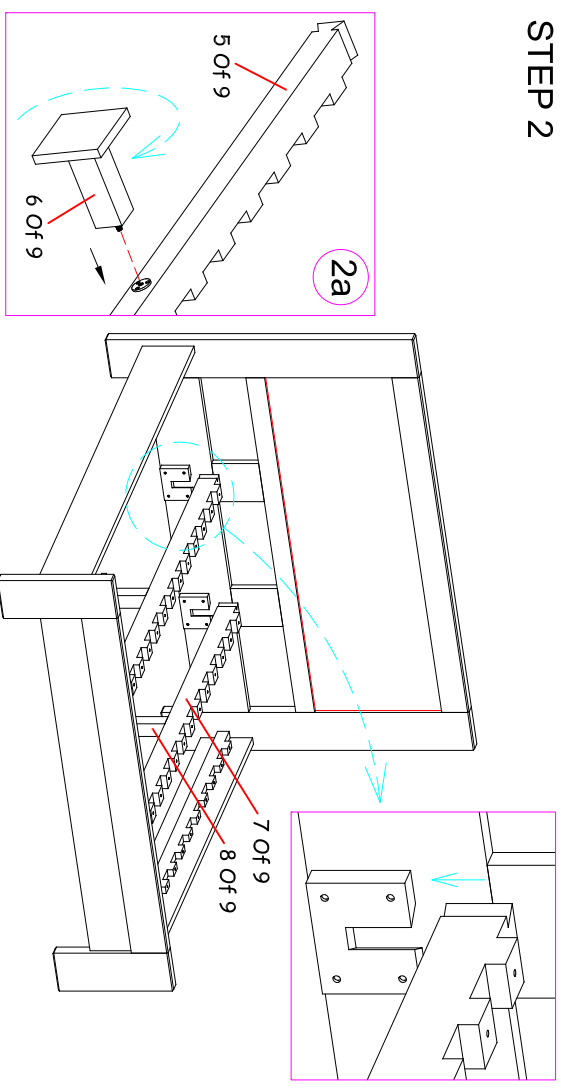
**Note :** - All hardware already fixed at goods

# ASSEMBLING INSTRUCTION

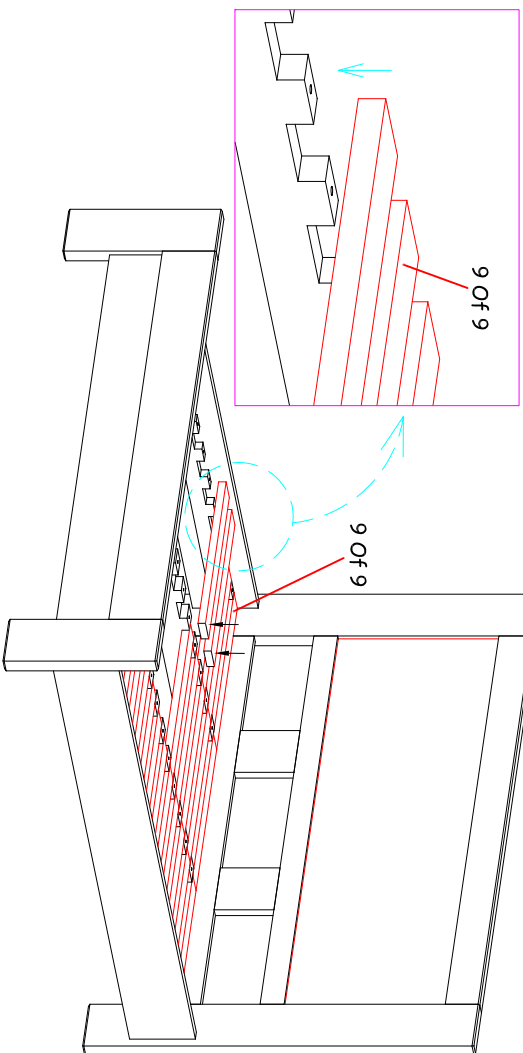
## STEP 1



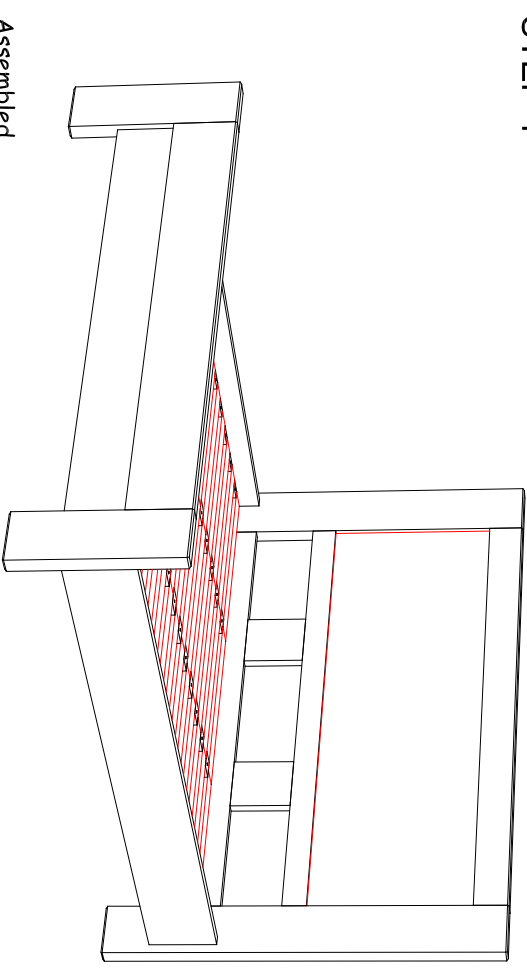
## STEP 2



## STEP 3



## STEP 4



**Note :** - All hardware already fixed at goods

# ASSEMBLING INSTRUCTION

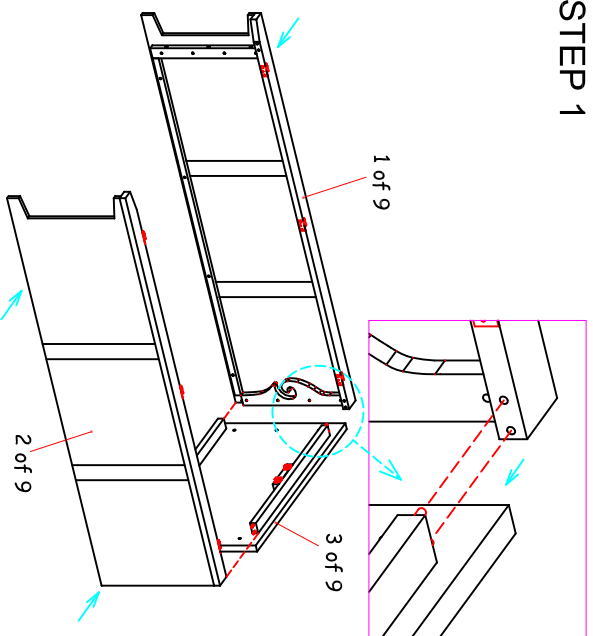
Material : Mango

Page : -

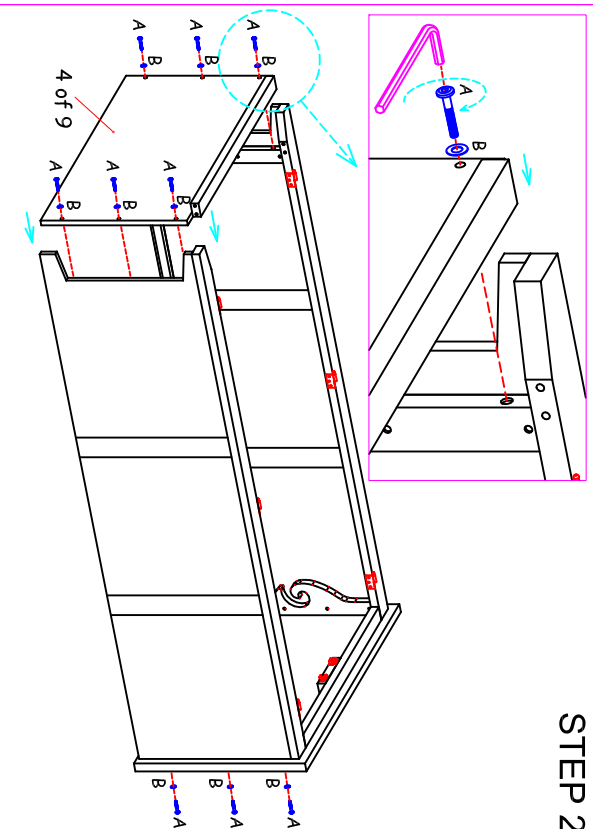
Descriptions :

BM 17 / AB 05 Wardrobe 2Dr (Full hanging)

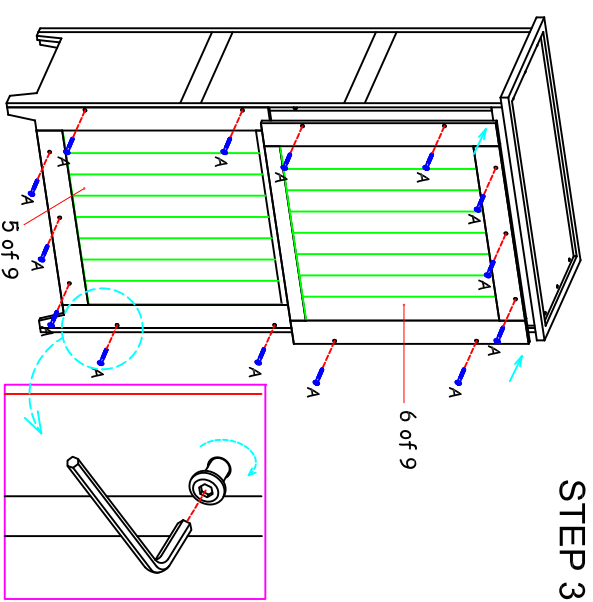
STEP 1



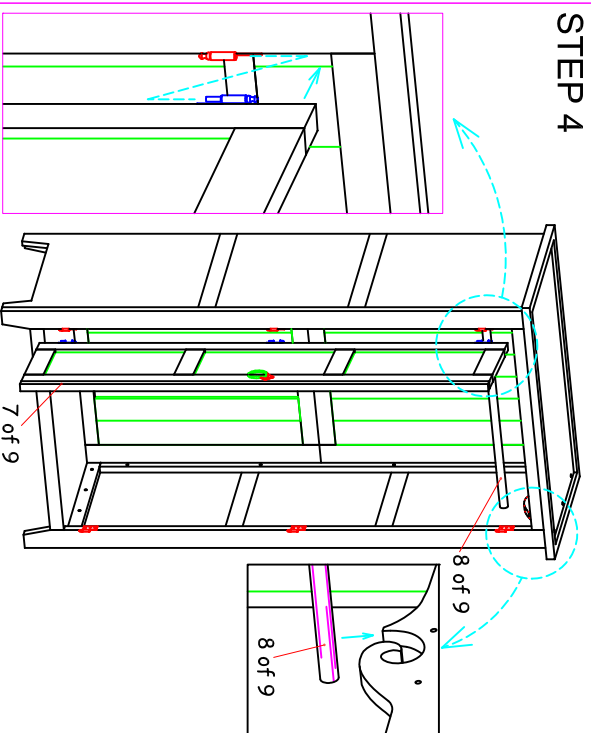
STEP 2



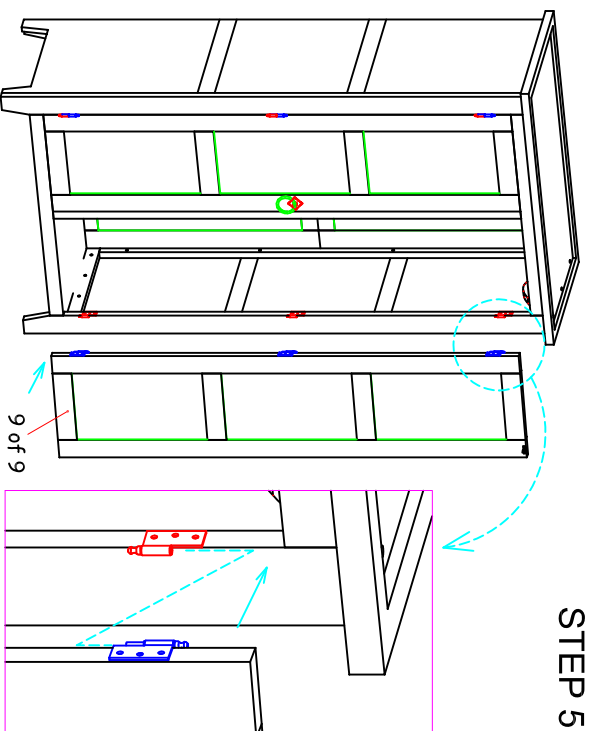
STEP 3



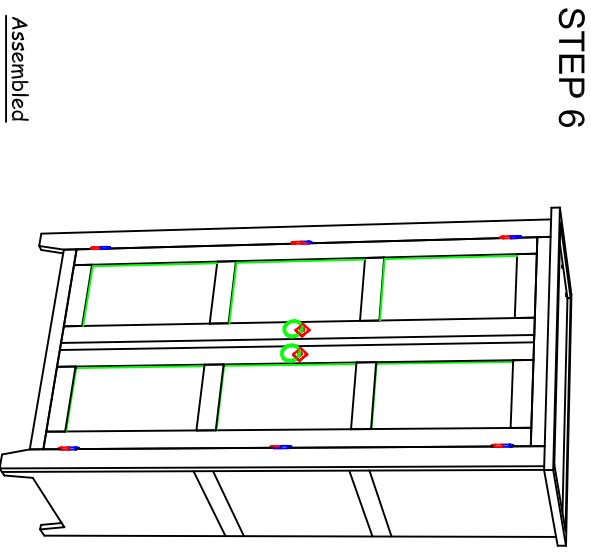
STEP 4



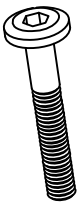
STEP 5



STEP 6



A = 26



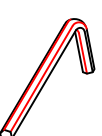
KD 40 mm

B = 12



Allen key

## Hardware



# ASSEMBLING INSTRUCTION

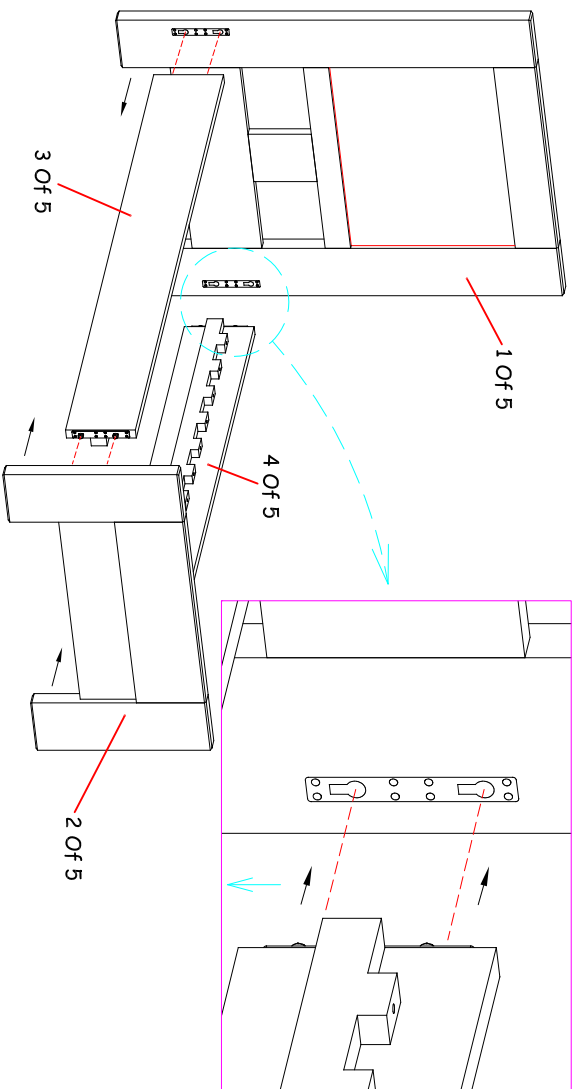
Material : Mango

Page :

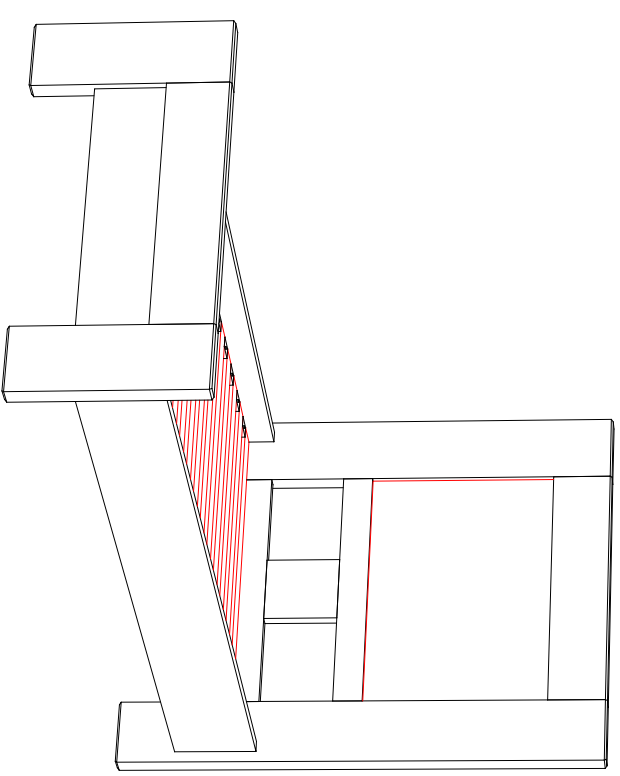
Descriptions :

BM 22 / AB 01 BEDSTEAD SINGLE

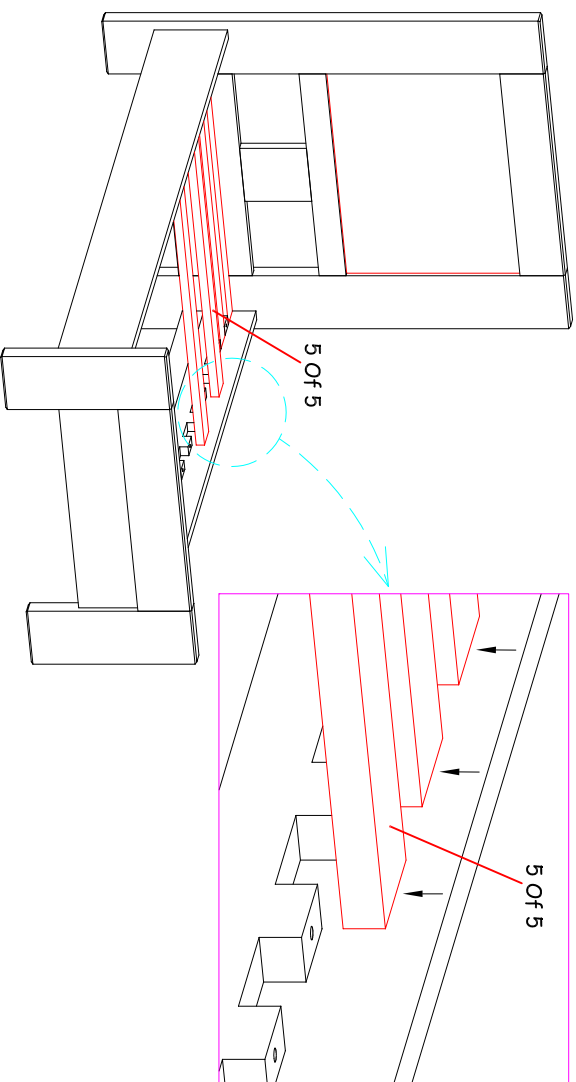
## STEP 1



## STEP 3



## STEP 2



Assembled

**Note :** - All hardware already fixed at goods