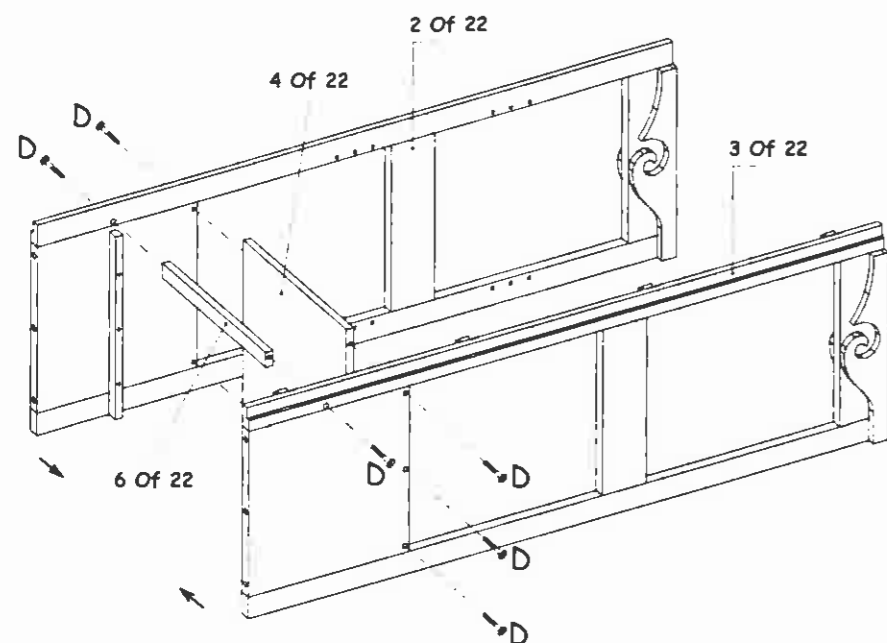
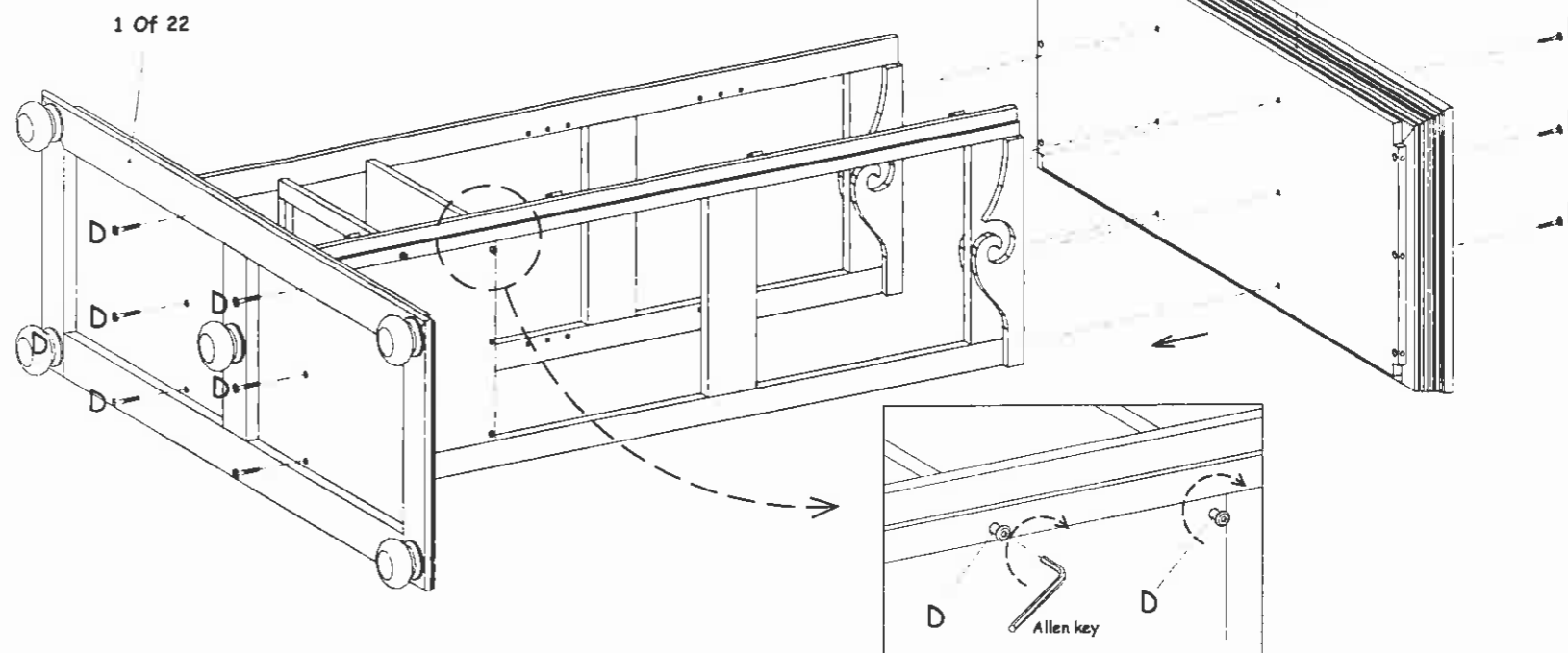


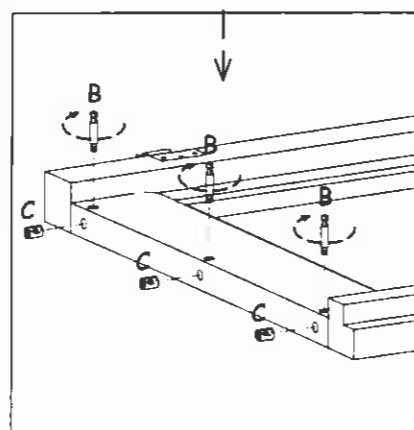
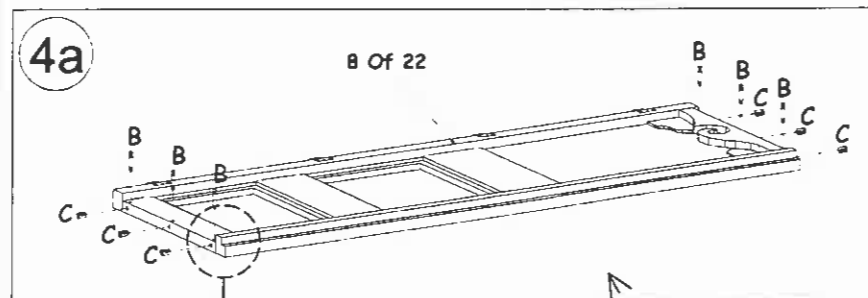
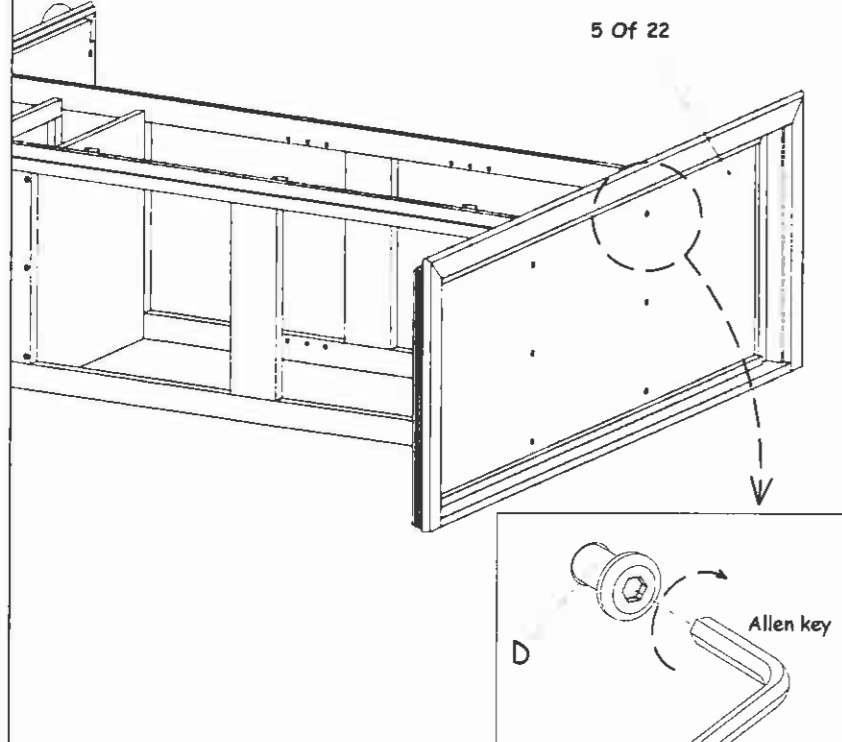
STEP 1



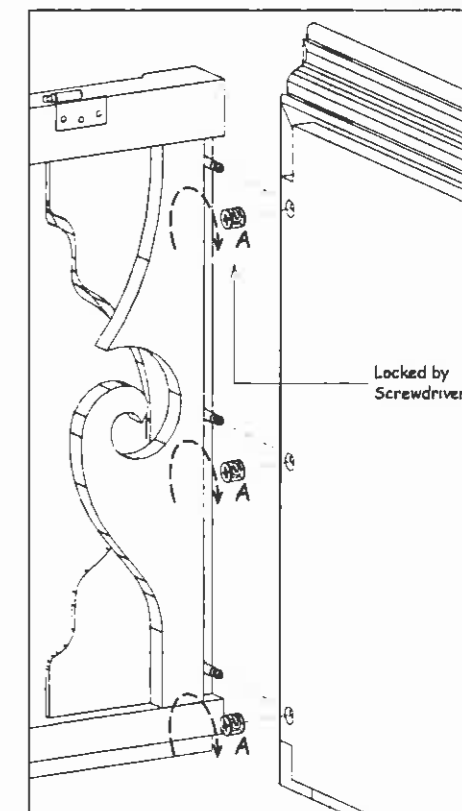
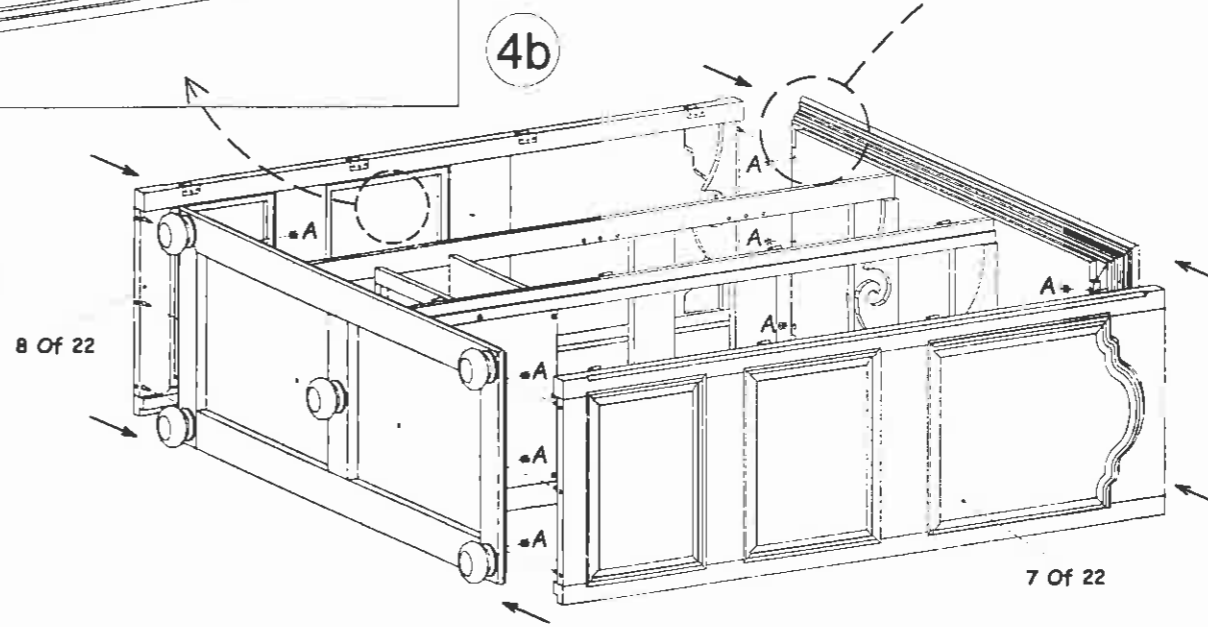
STEP 2



STEP 3



STEP 4

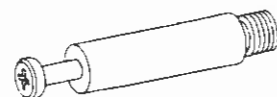


Hardware

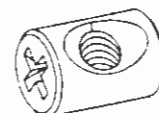
A = 12



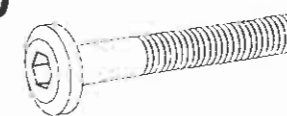
B = 12



C = 12

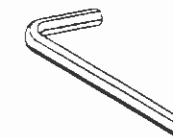


D = 20

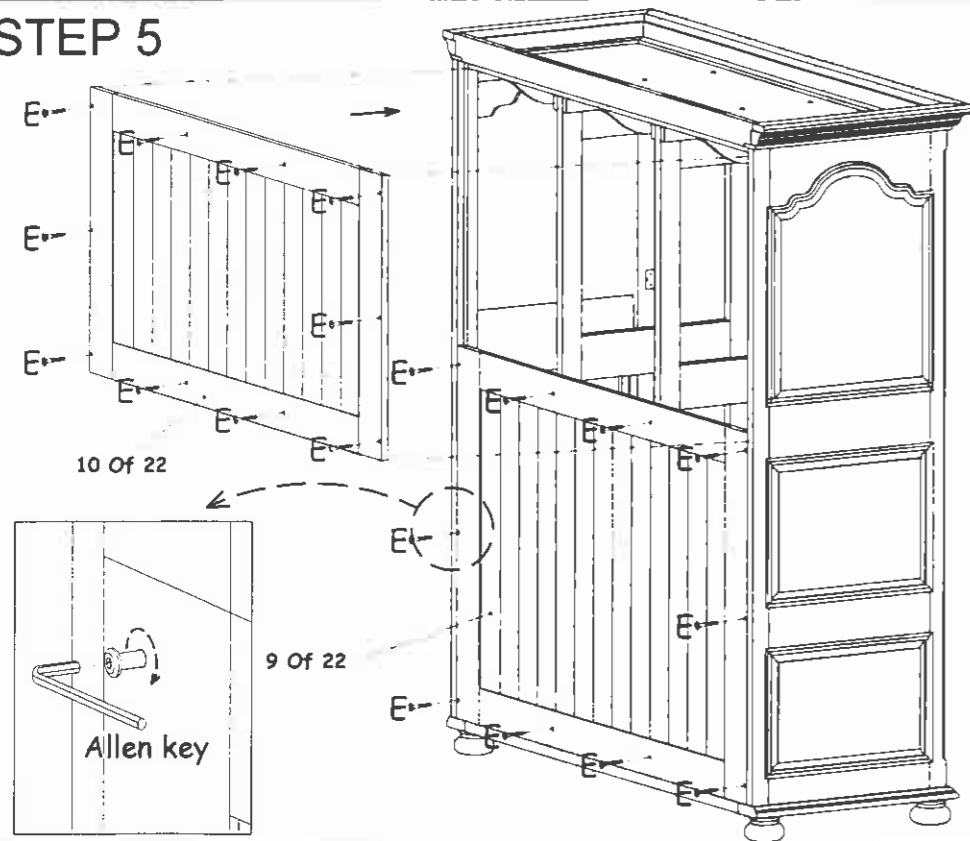


KD 40 mm

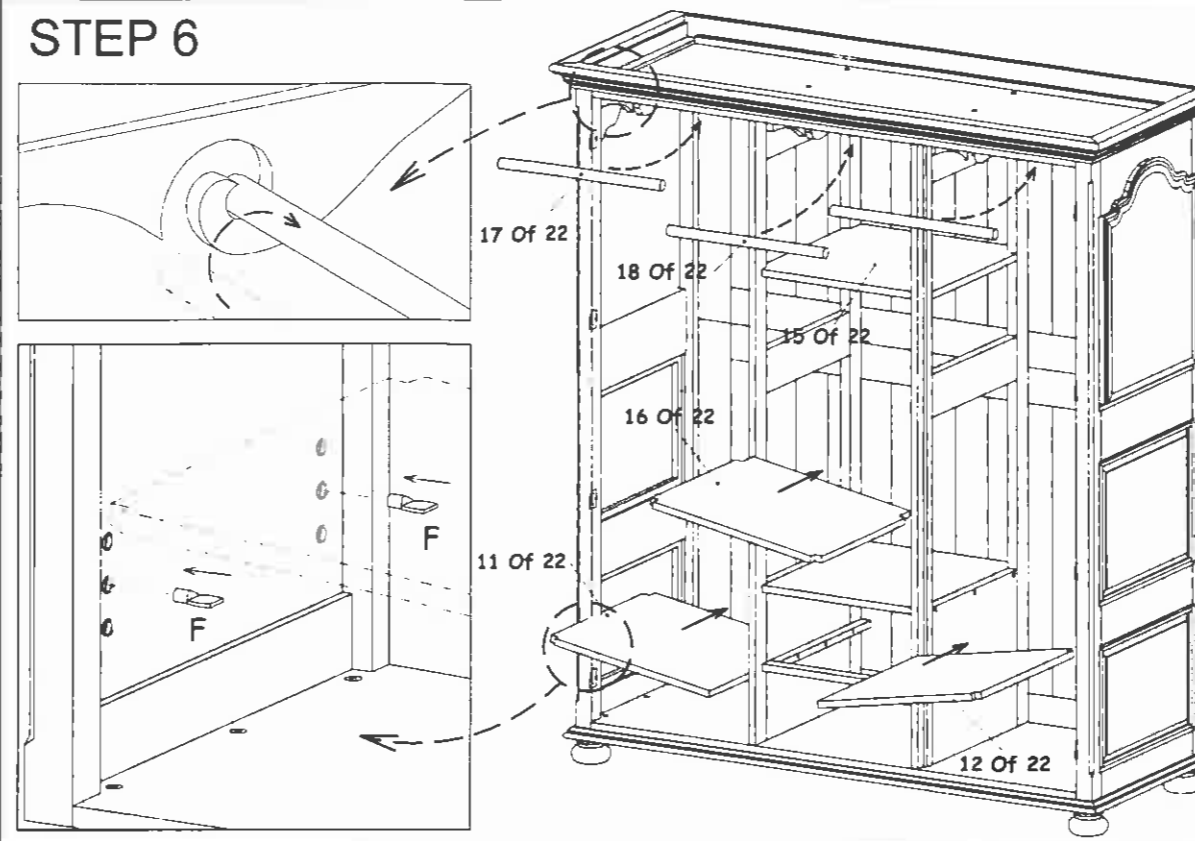
Allen key



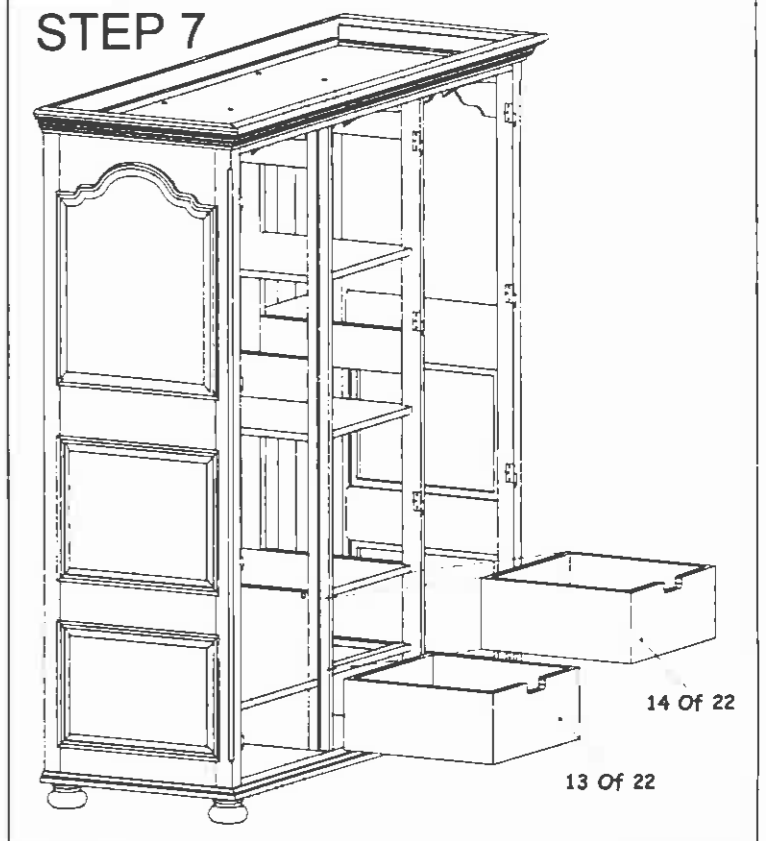
STEP 5



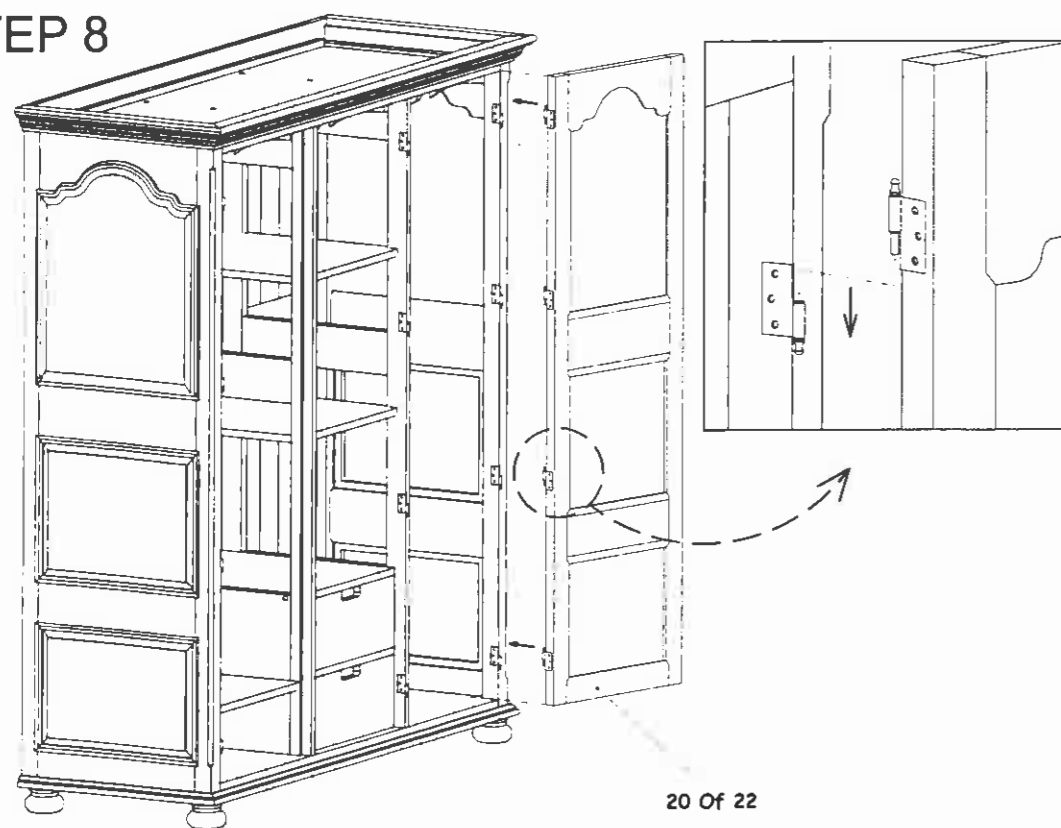
STEP 6



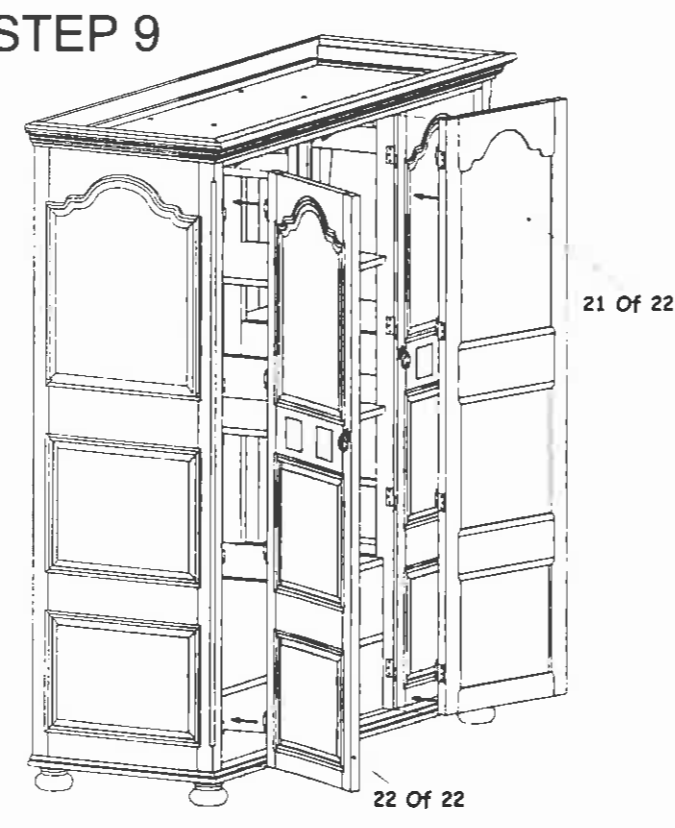
STEP 7



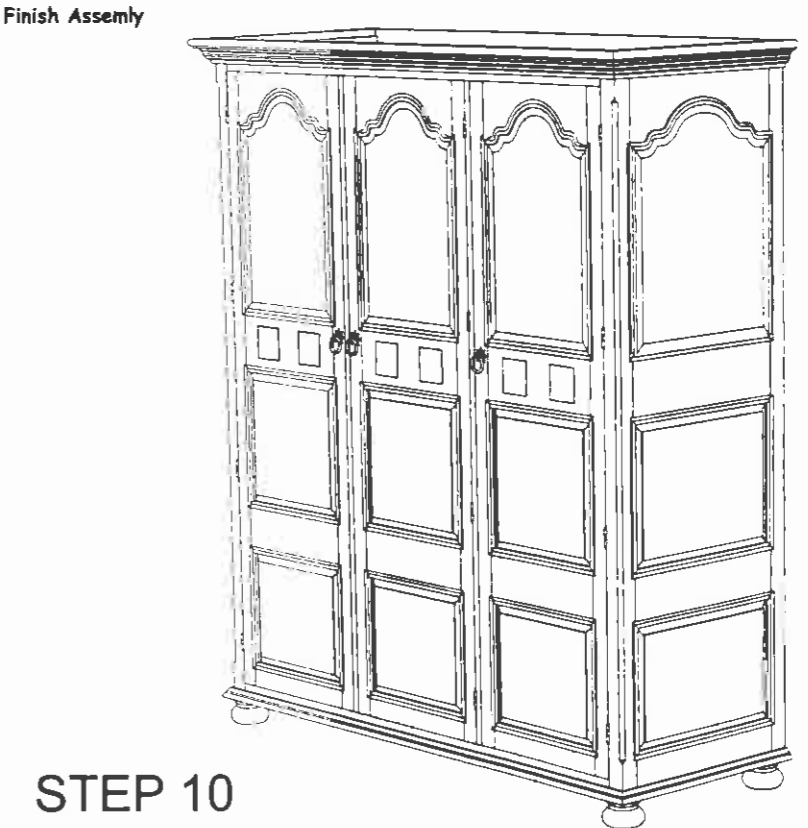
STEP 8



STEP 9

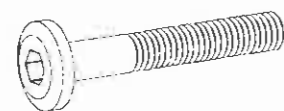


Finish Assembly



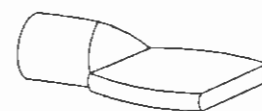
Hardware

E = 20

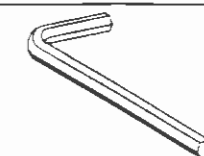


KD 40 mm

F = 16

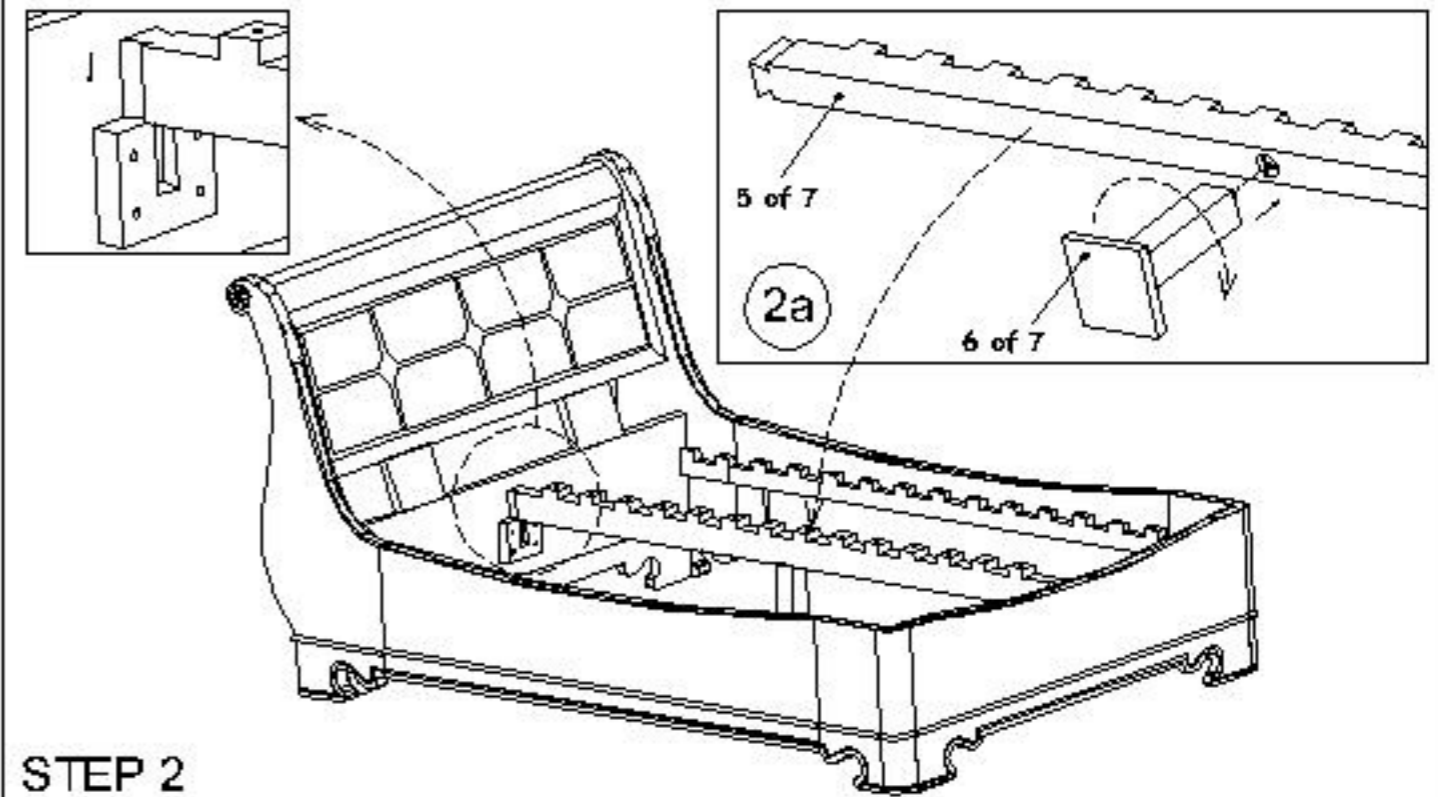
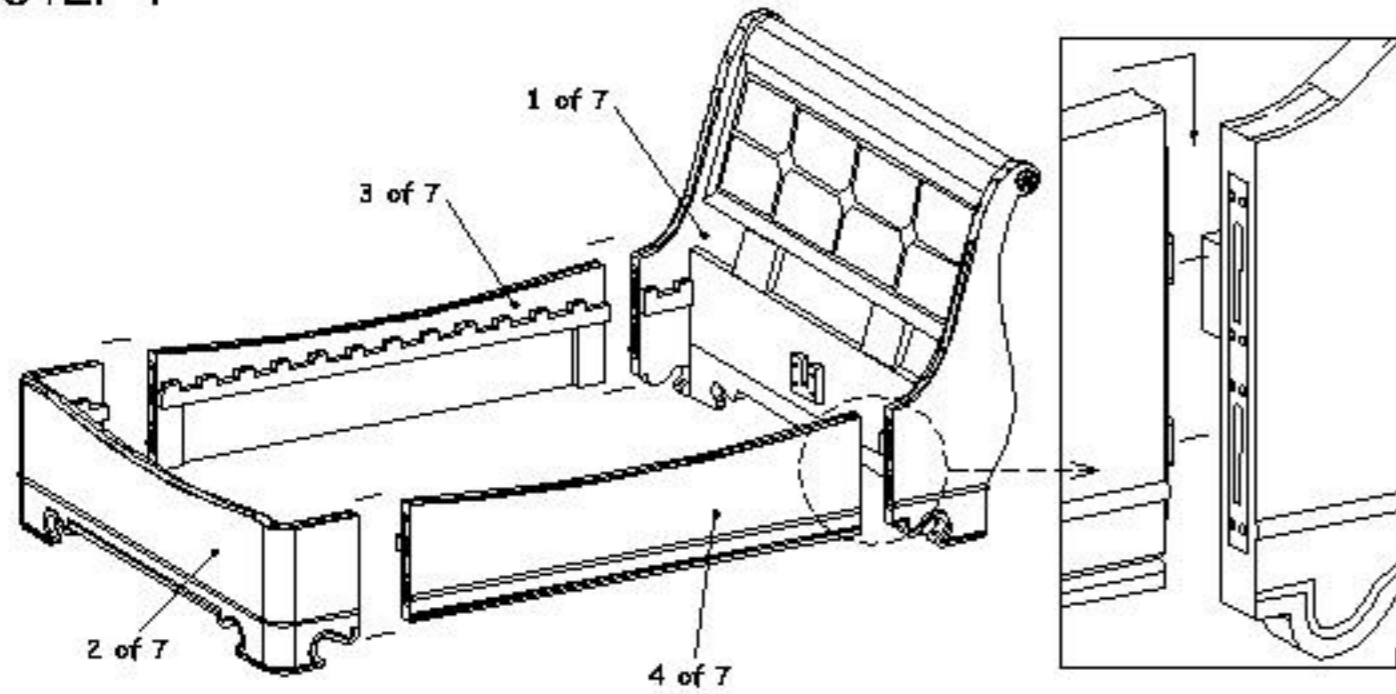


Allen key



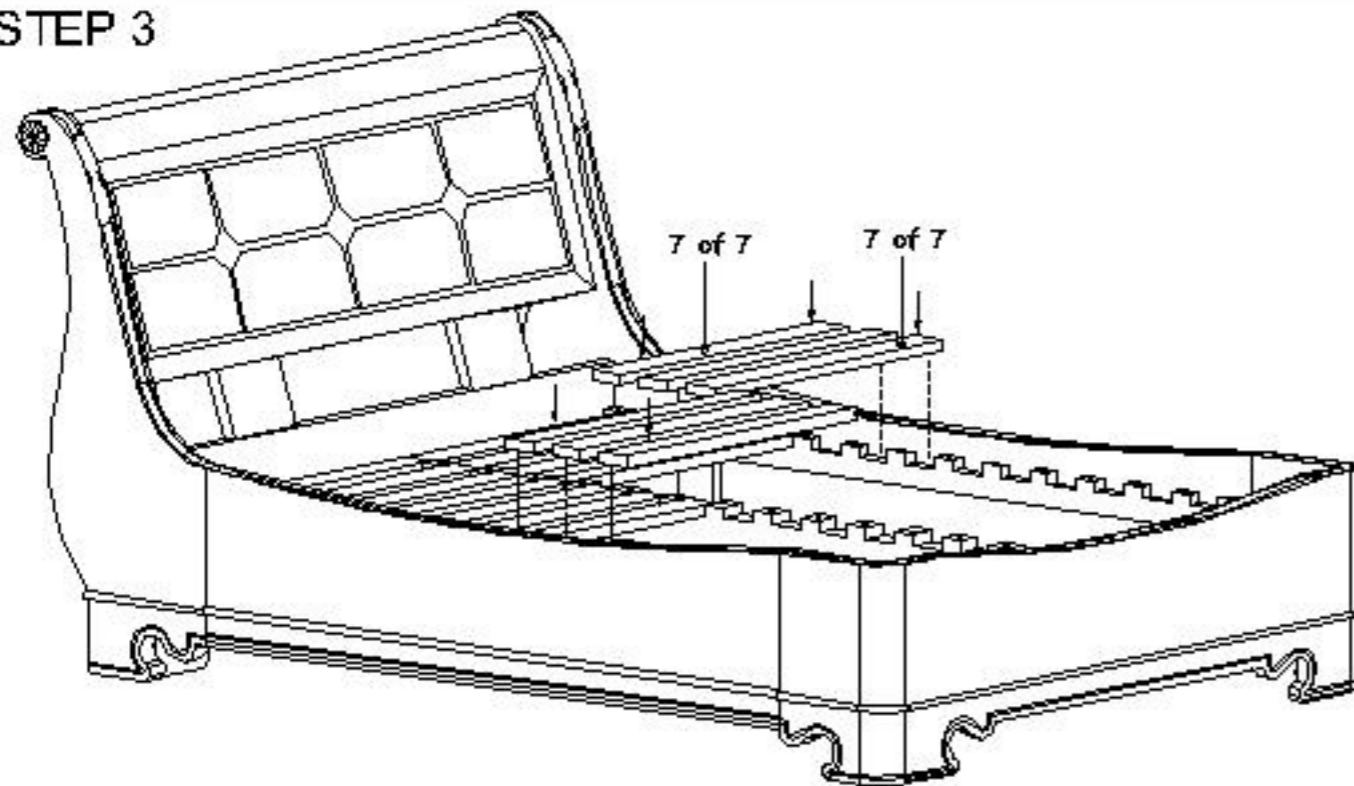
ASSEMBLING INSTRUCTION

STEP 1

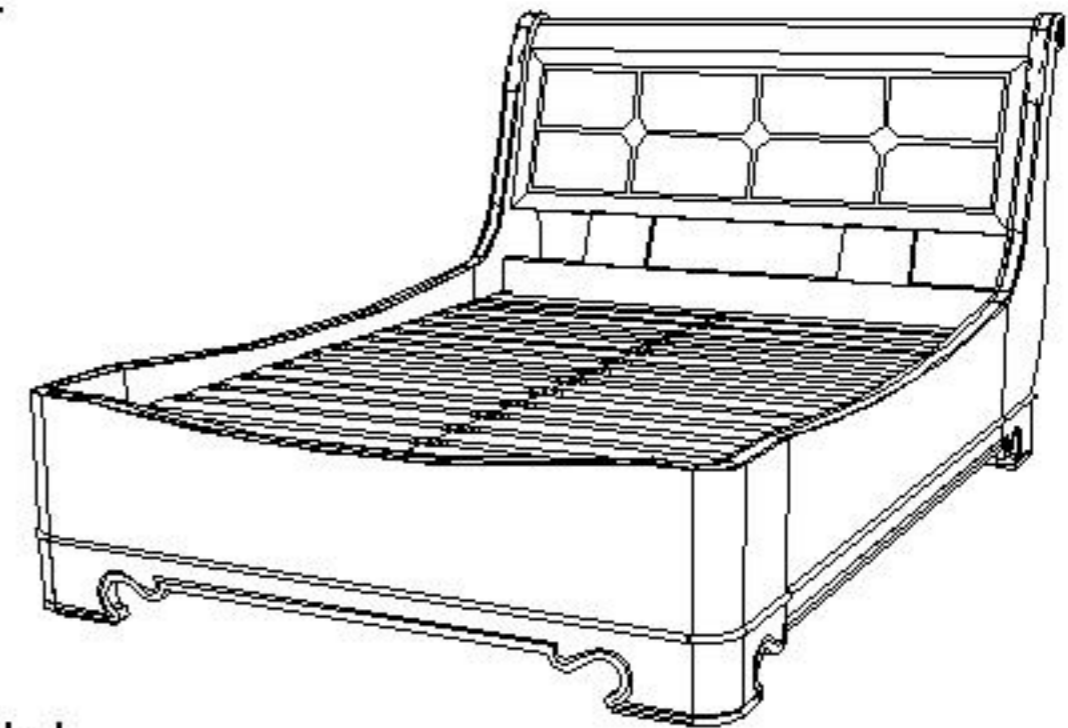


STEP 2

STEP 3



STEP 4

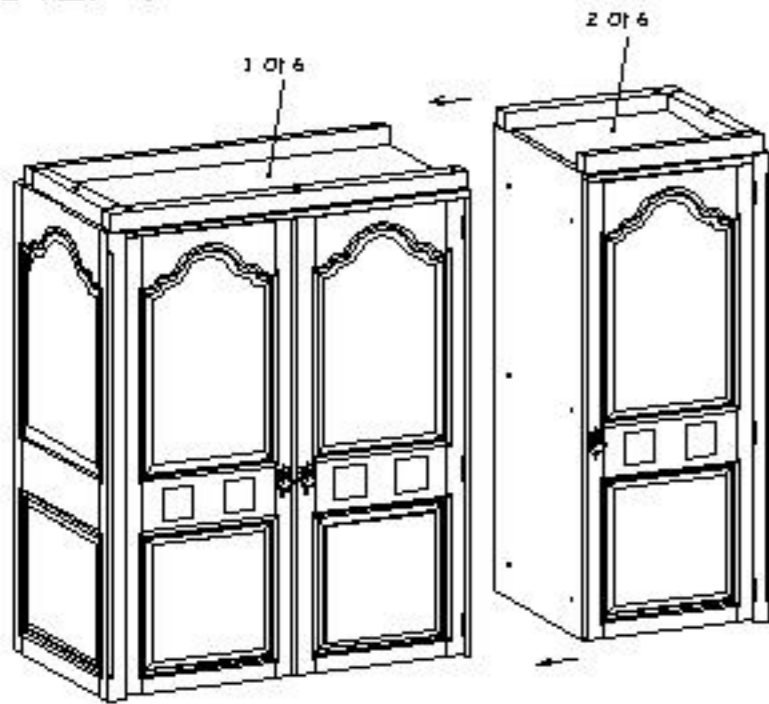


Assembled

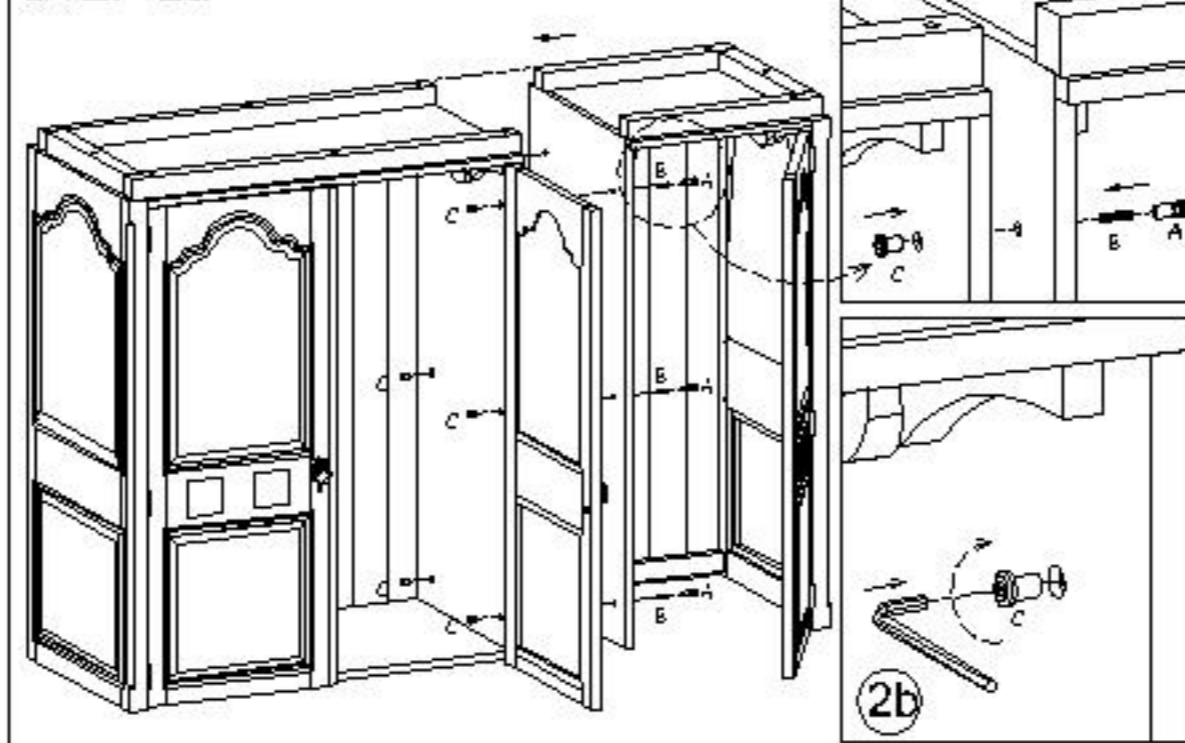
Hardware

NOTE : - All hardware already fixed at goods

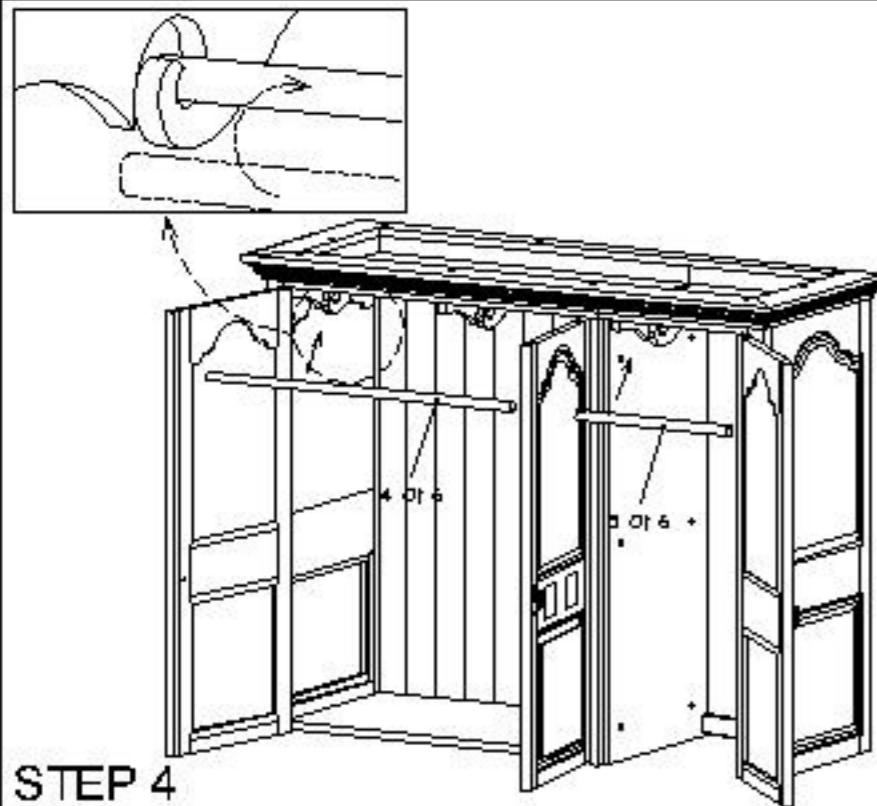
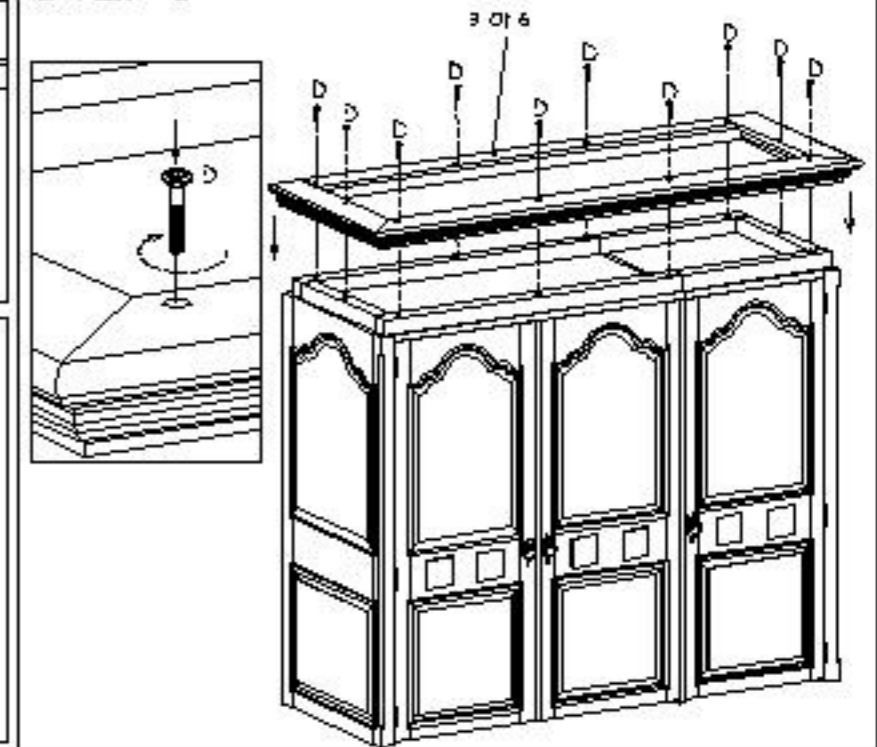
STEP 1



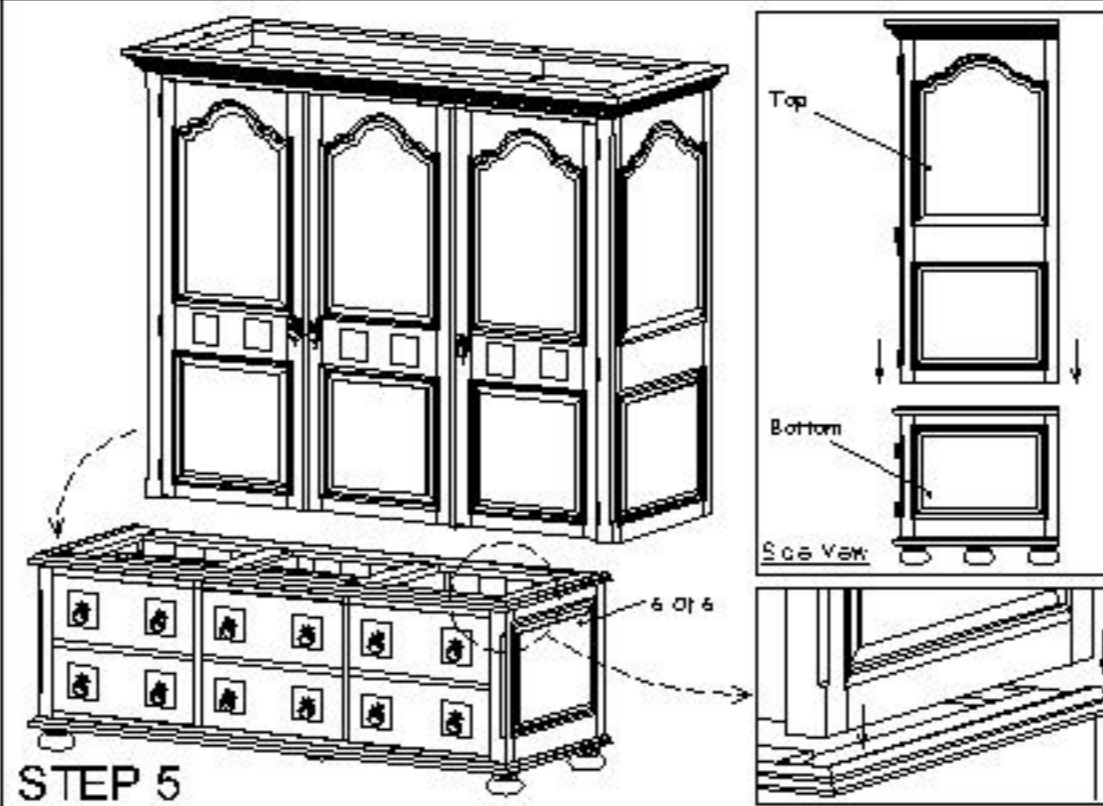
STEP 2a



STEP 3



STEP 4



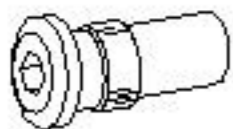
STEP 5



STEP 6

Hardware

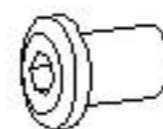
A = 6



B = 6



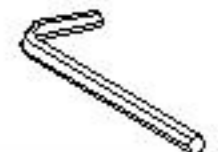
C = 6



D = 10



Allen key



ASSEMBLING INSTRUCTION

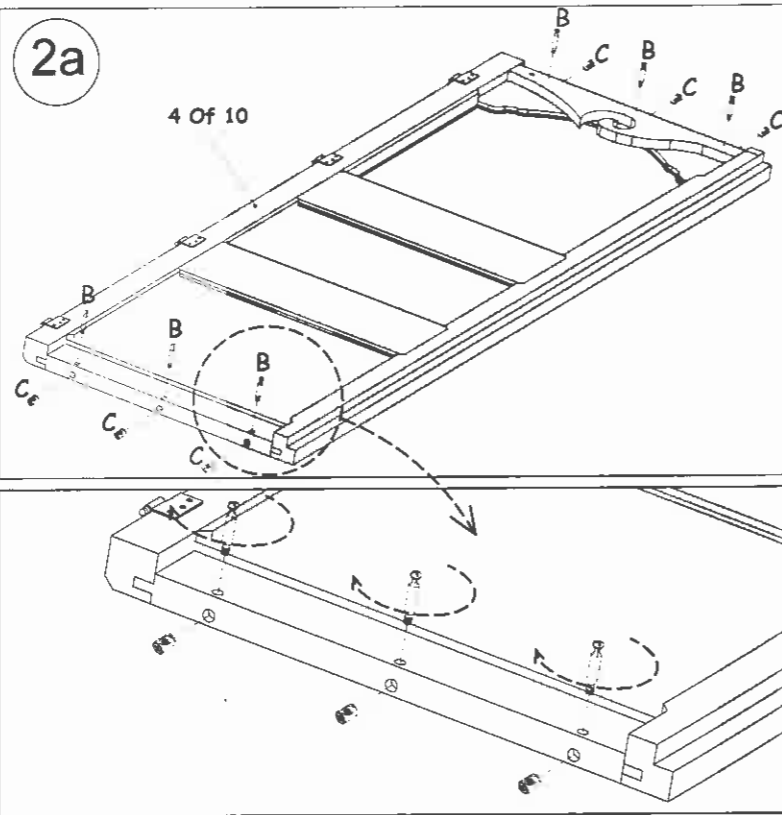
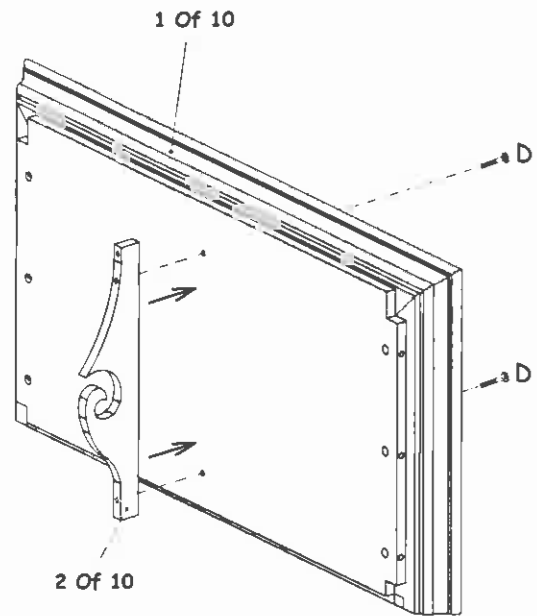
Material : Mango

Page :

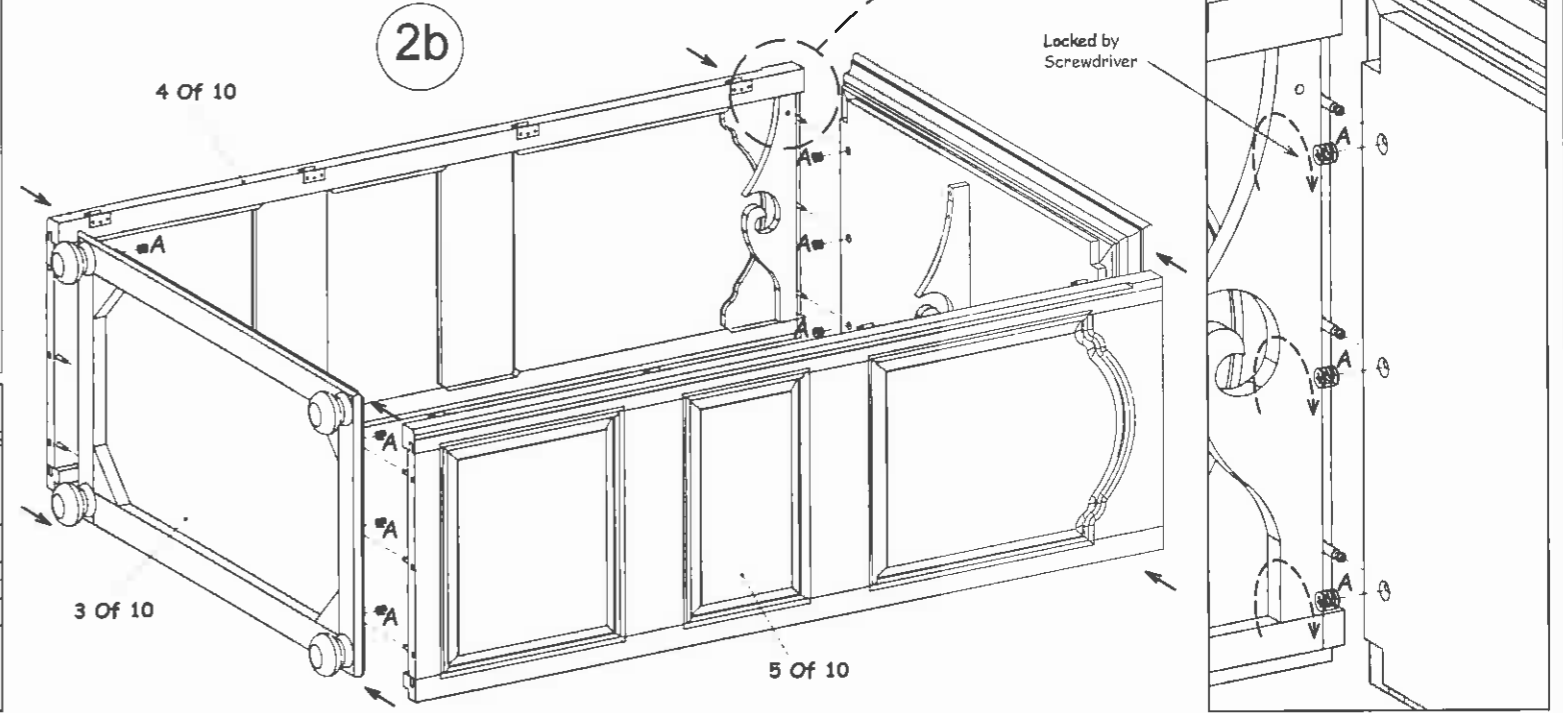
Descriptions :

FB16 Wardrobe 2 Door

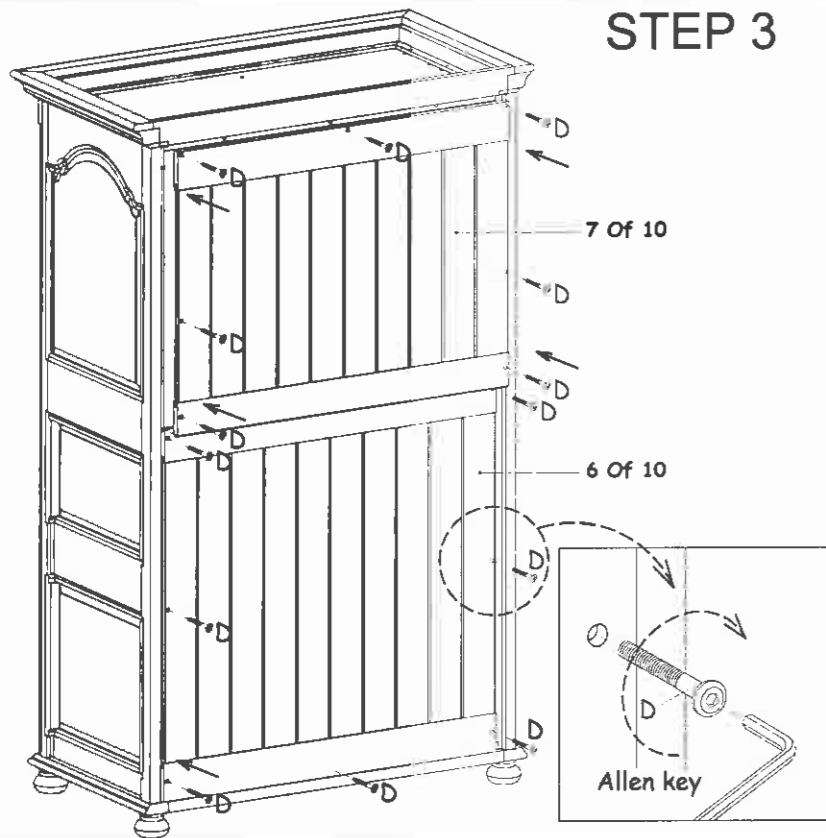
STEP 1



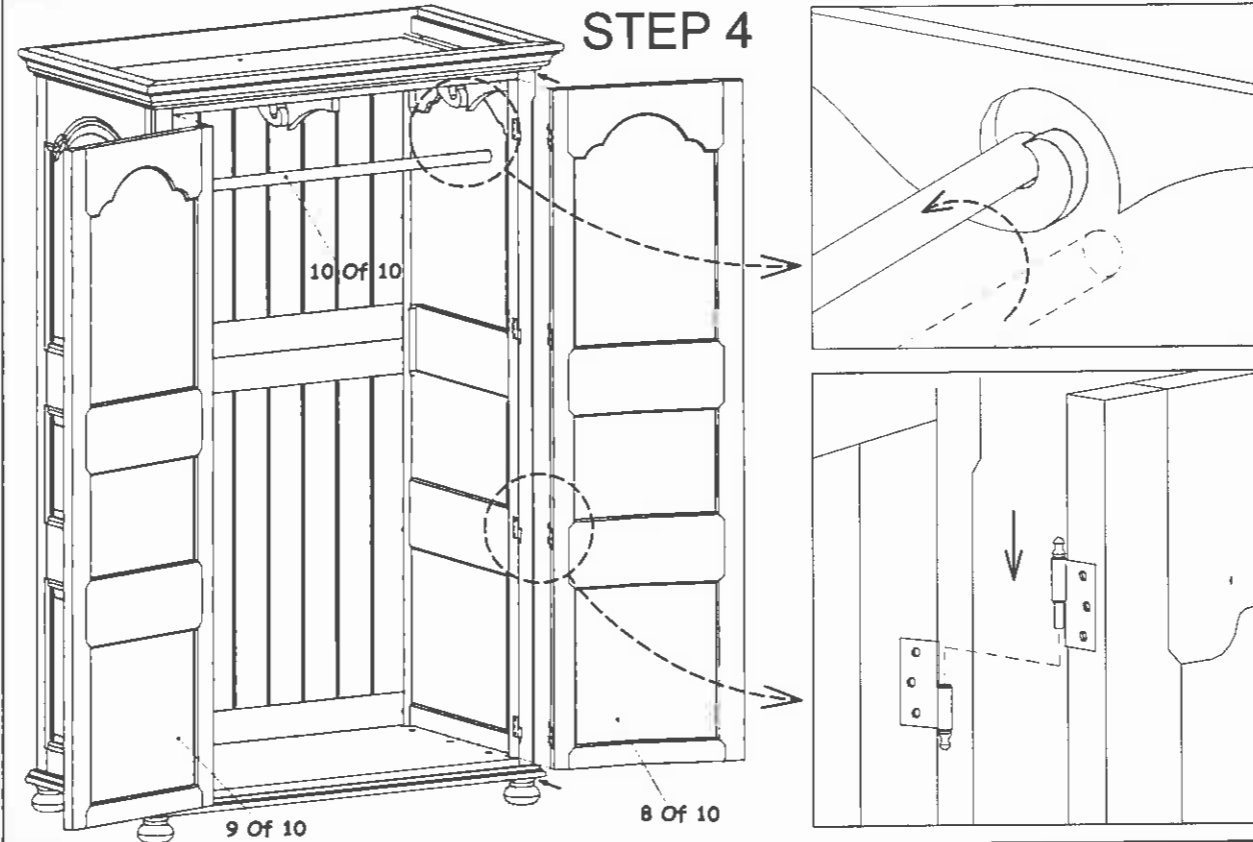
STEP 2



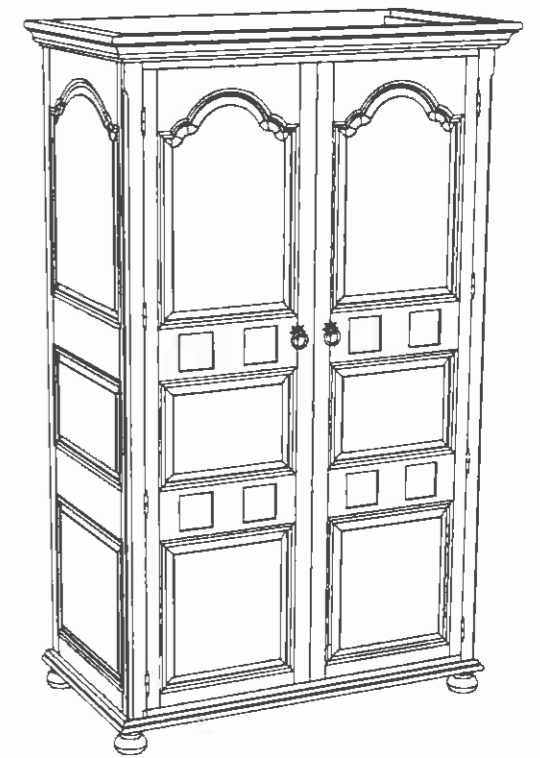
STEP 3



STEP 4



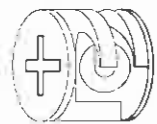
STEP 5



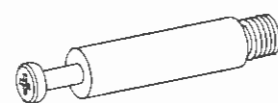
Assembled

Hardware

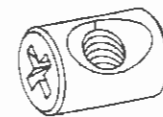
A = 12



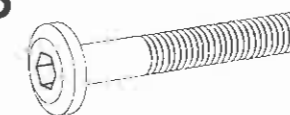
B = 12



C = 12

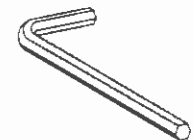


D = 16



KD 35 mm

Allen key



ASSEMBLING INSTRUCTION

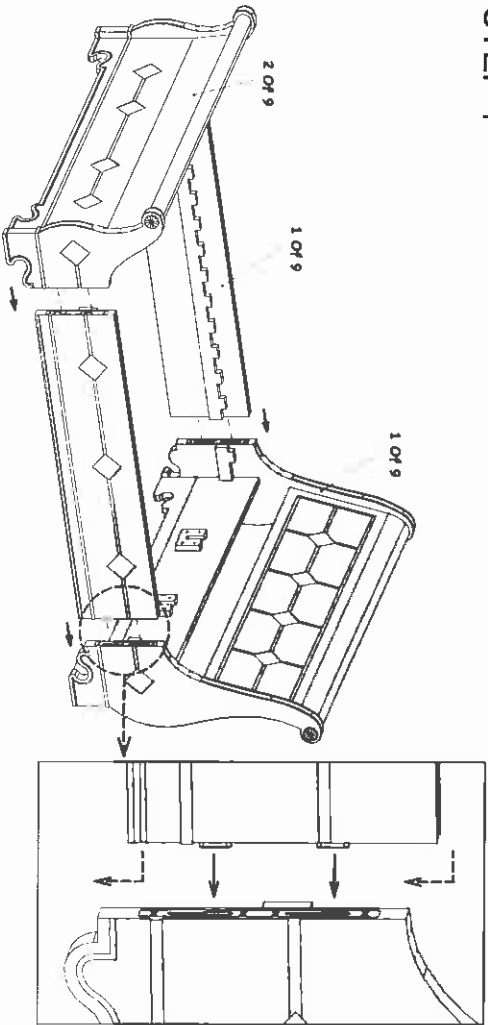
Material : Mango

Page :

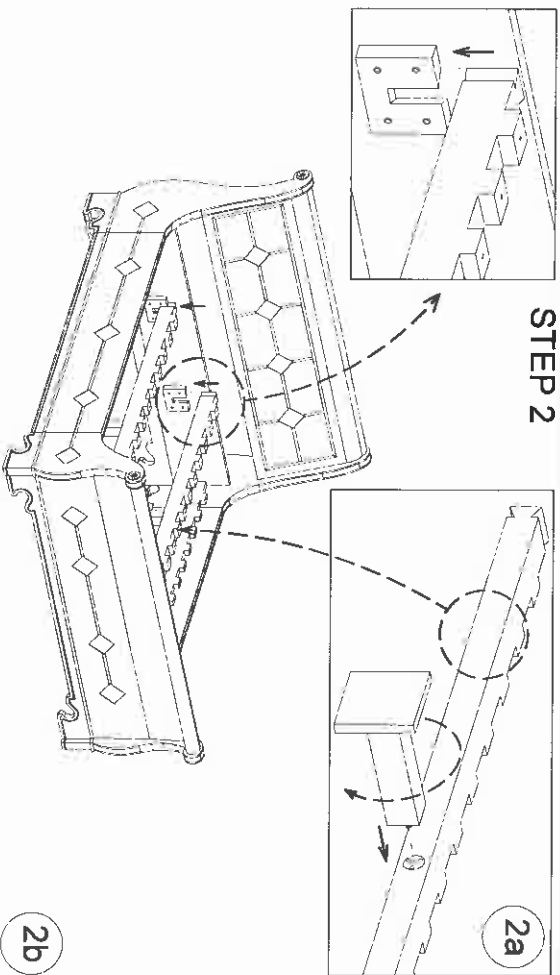
Descriptions :

FB04 Sleigh bed King Size

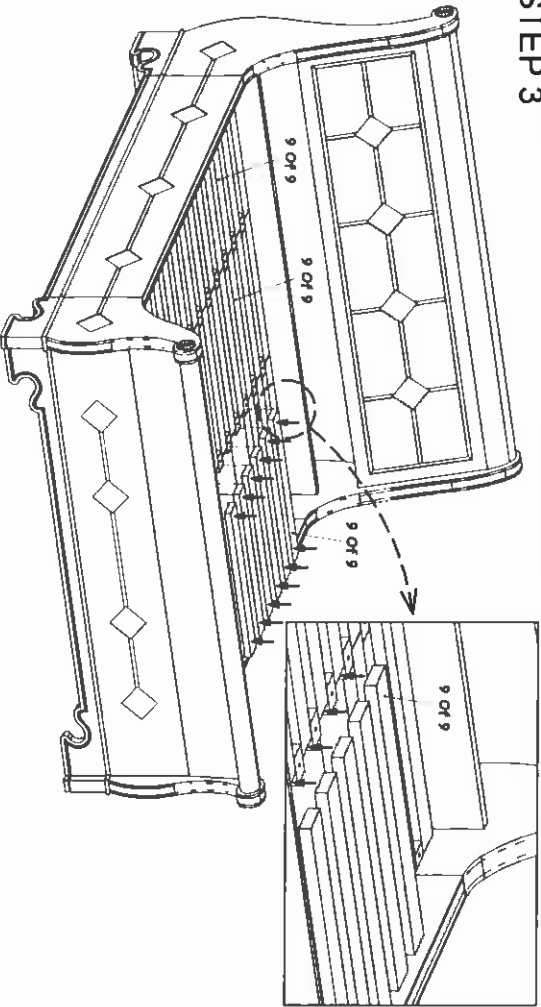
STEP 1



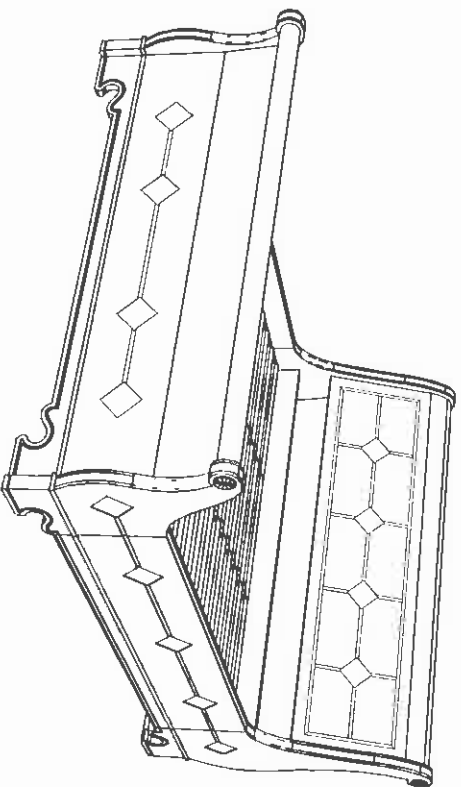
STEP 2



STEP 3



STEP 4



Assembled

Hardware

Note : All hardware are fixed at goods and ready for assembly