

# ASSEMBLING INSTRUCTION

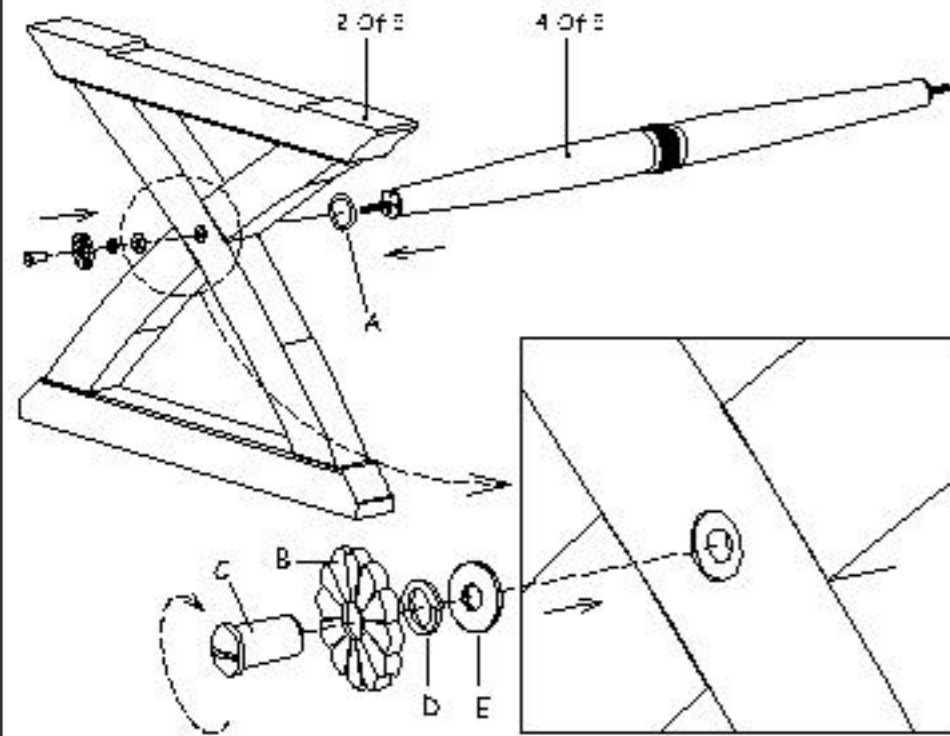
Material : Mango

Page :

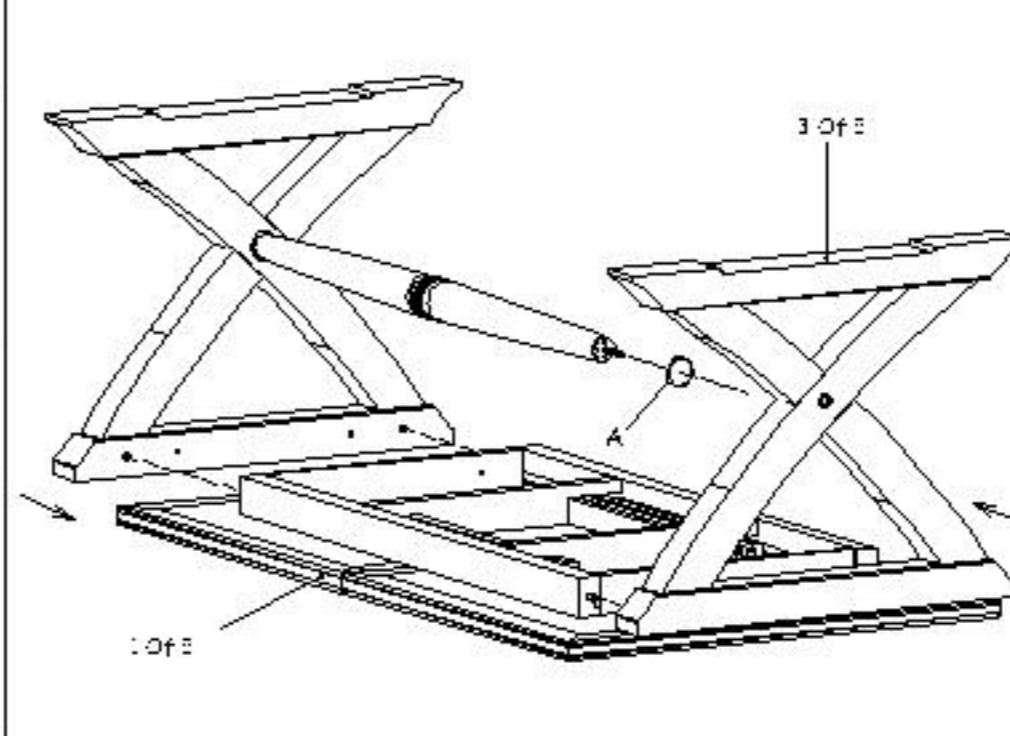
Descriptions :

FD 10 Cross Leg Ext. Dining Table

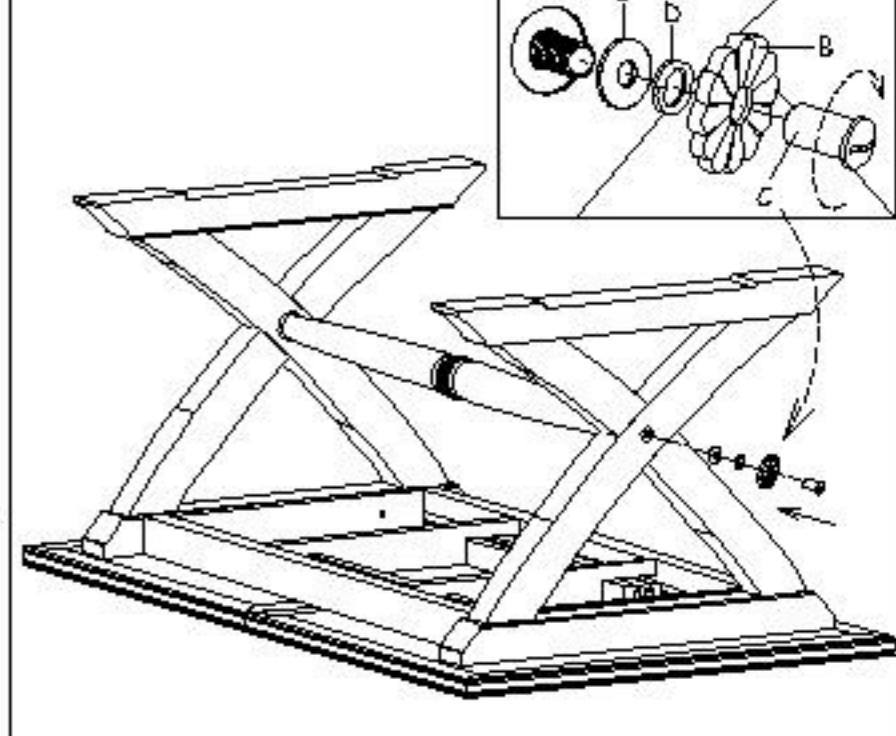
## STEP 1



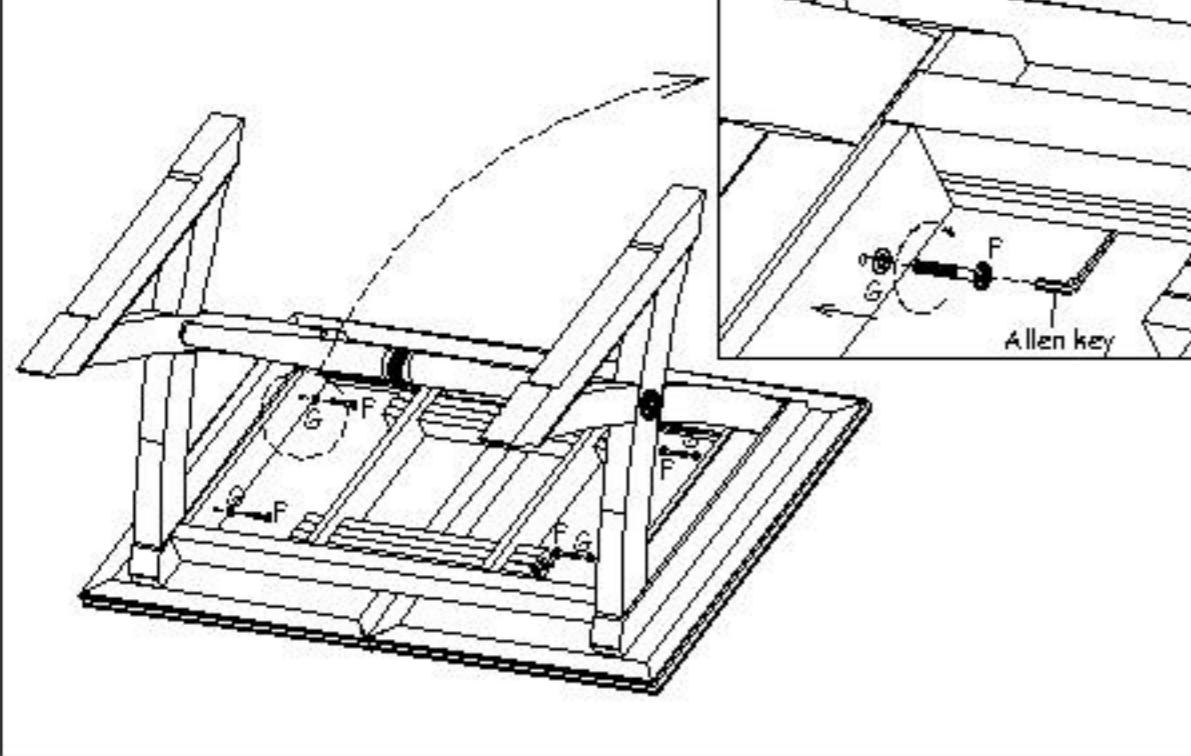
## STEP 2



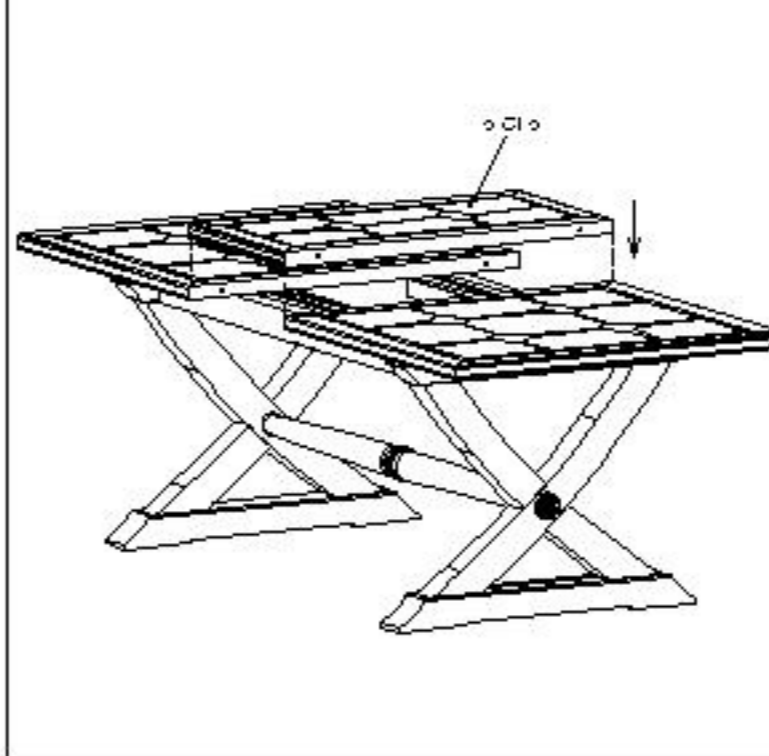
## STEP 3



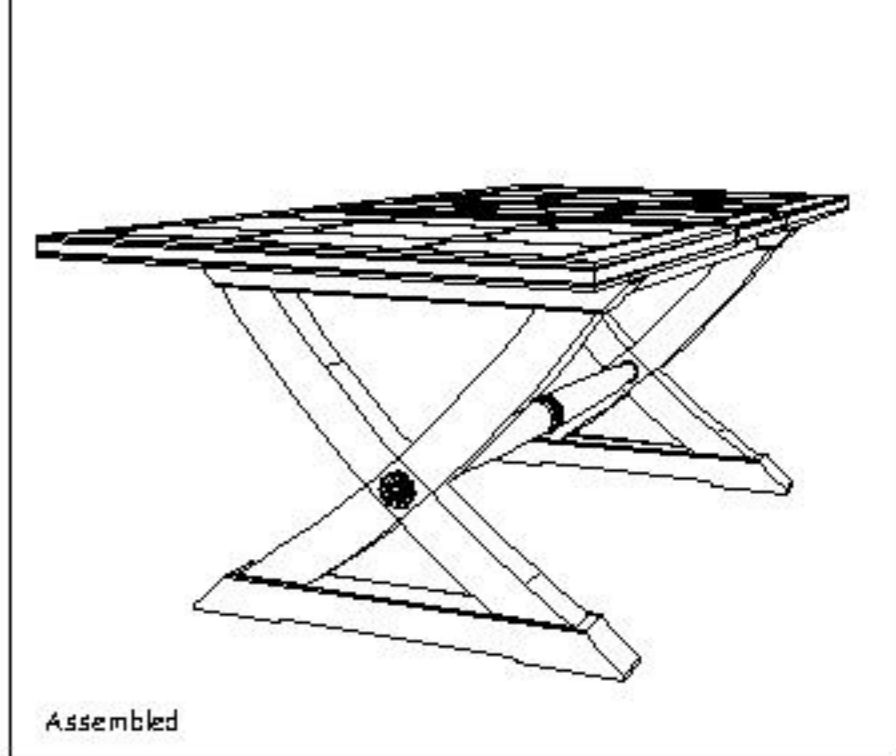
## STEP 4



## STEP 5



## STEP 6



Assembled

## Hardware

A = 2	B = 2	C = 2	D = 2	E = 2	F = 4	G = 4	Allen key



# ASSEMBLING INSTRUCTION

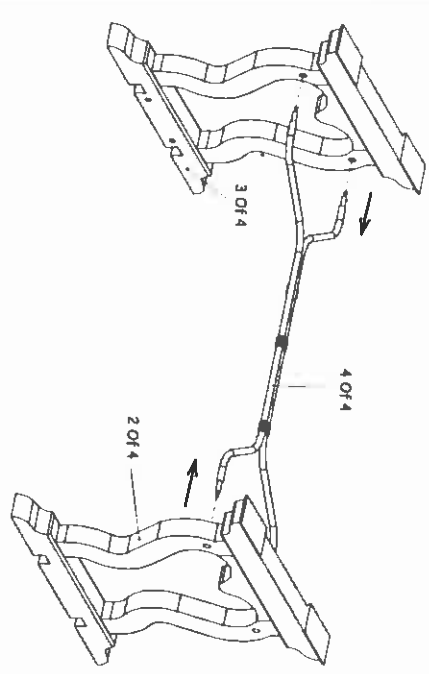
Material : Mango

Page :

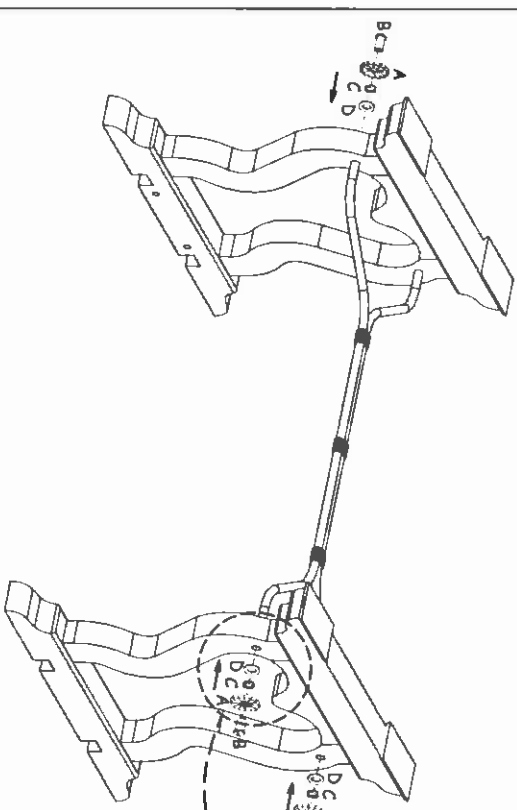
Descriptions :

**FD08 Iron Dining Table**

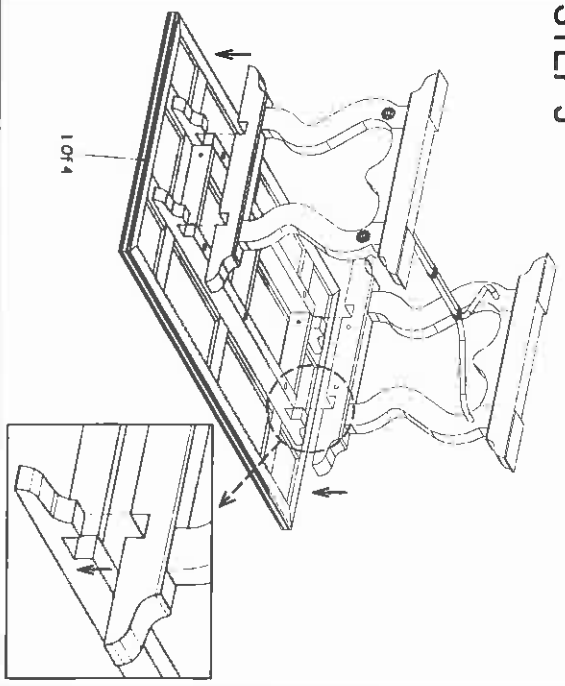
**STEP 1**



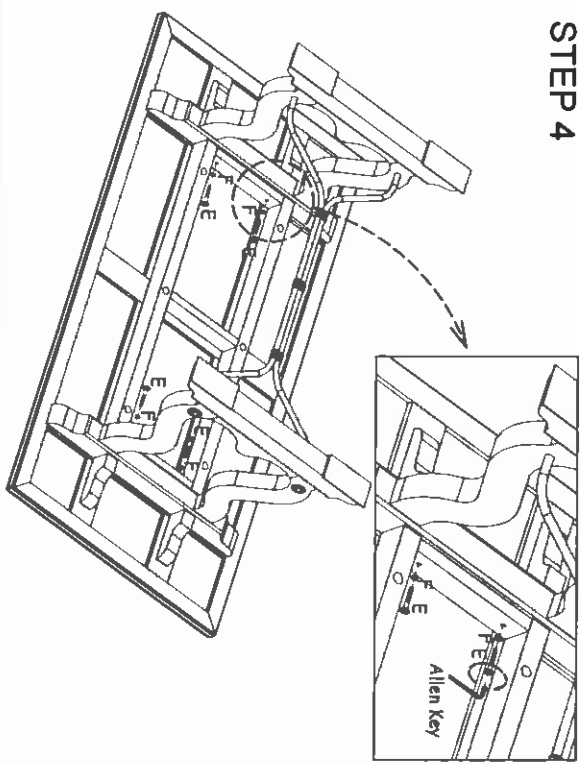
**STEP 2**



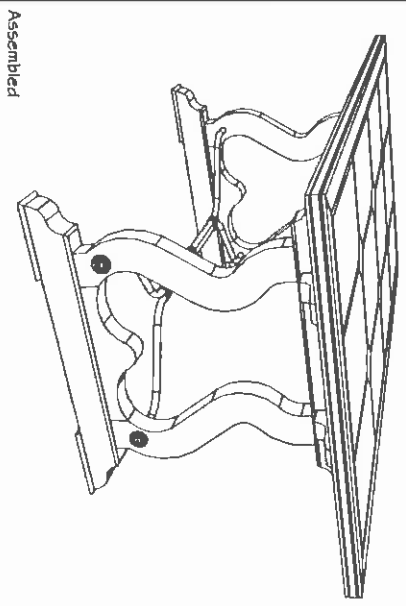
**STEP 3**



**STEP 4**



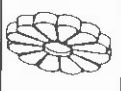
**STEP 5**



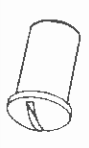
Assembled

## Hardware

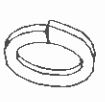
A = 4



B = 4



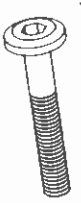
C = 4



D = 4



E = 4



F = 4



Allen key

