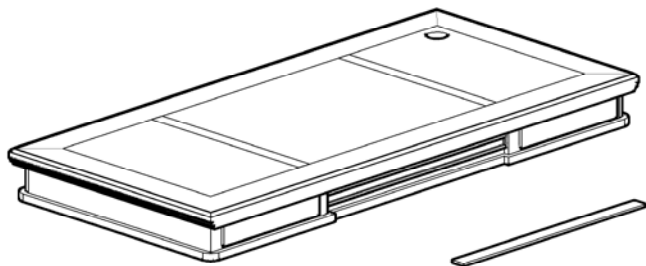
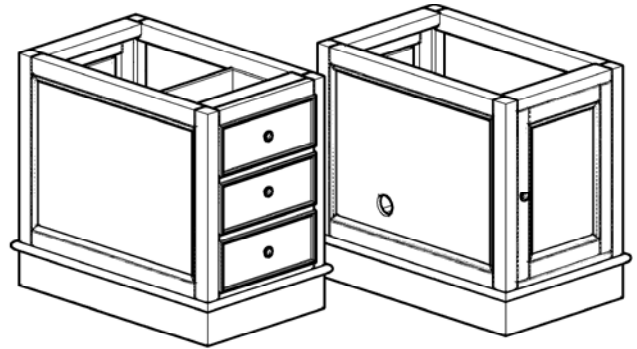


**The MO32 - Large Office Desk ( Mahogany ) is supplied with the following part :**



Top Table  
1 pc

Ruler  
1 pc

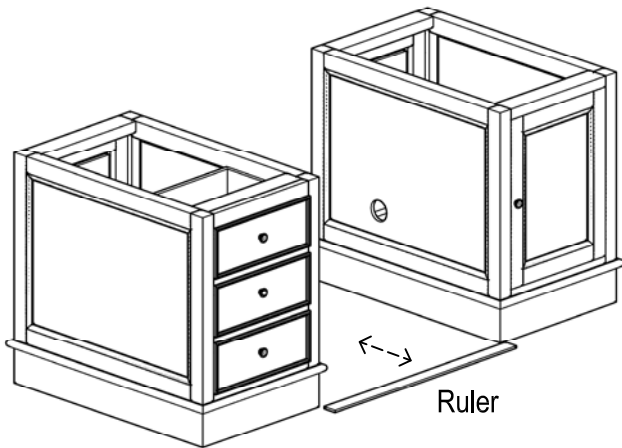


Left Drawer  
1 pc

Right Door  
1 pc

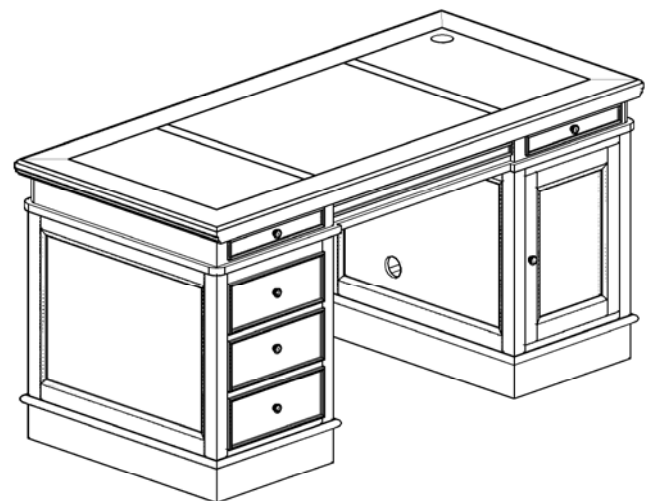
**Step 1**

Place Ruler on the floor between Left Drawer and Right Door to measure the correct gap.



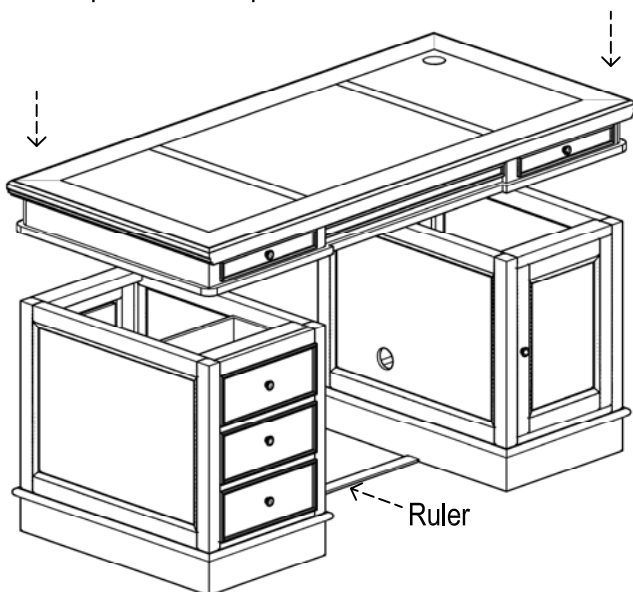
Ruler

Fully Assembled  
Large Office Desk is ready to use



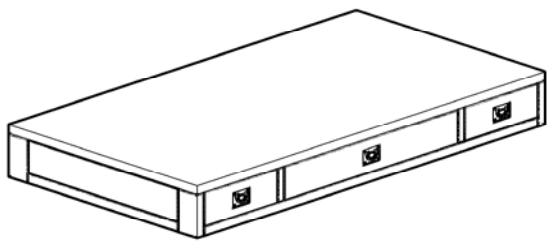
**Step 1**

Put the Top Table on Top of the Drawers.

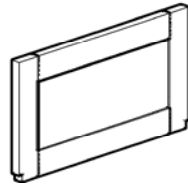


Ruler

**The MO31 - Military Desk ( Mahogany ) is supplied with the following part :**



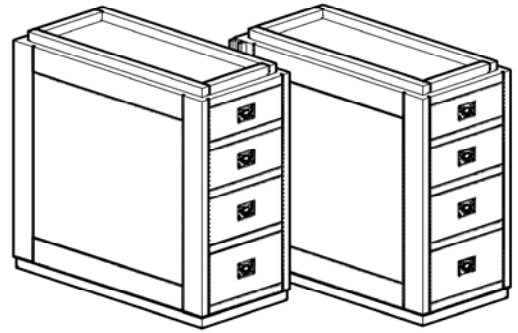
Top Table  
1 pc



Back Panel  
1 pc



Ruler  
1 pc

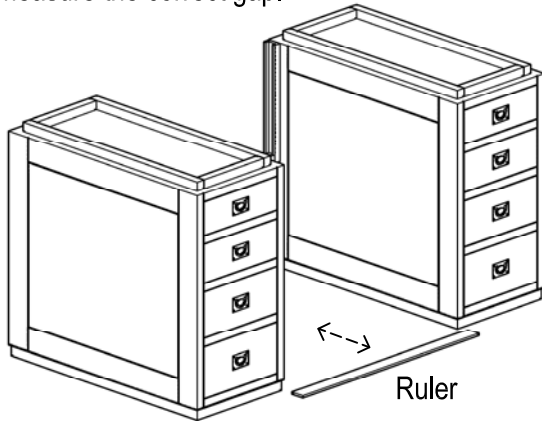


Left Drawer  
1 pc

Right Drawer  
1 pc

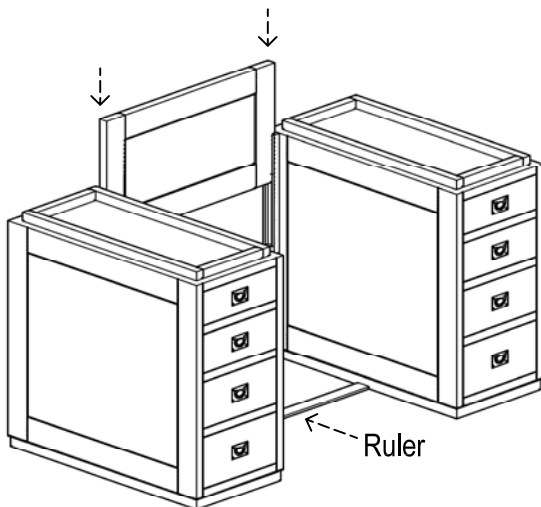
**Step 1**

Place Ruler on the floor between Left and Right Drawer to measure the correct gap.



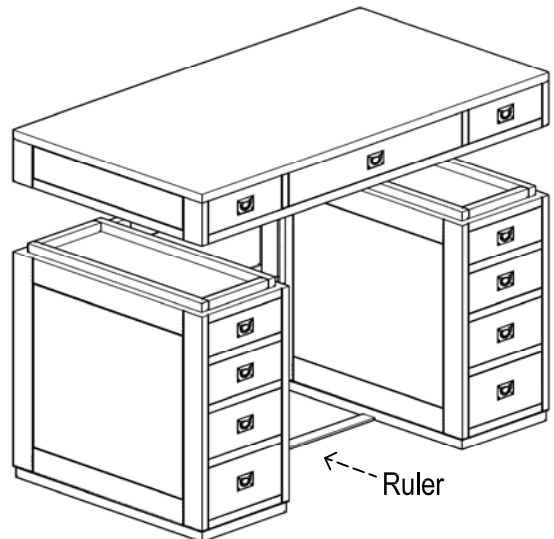
**Step 2**

Slide down the Back Panel into the slot attached in Left and Right Drawer..



**Step 3**

Put the Top Table on Top of The Drawers after the Back Panel is securely installed.



Fully Assembled  
Military Desk is ready to use

