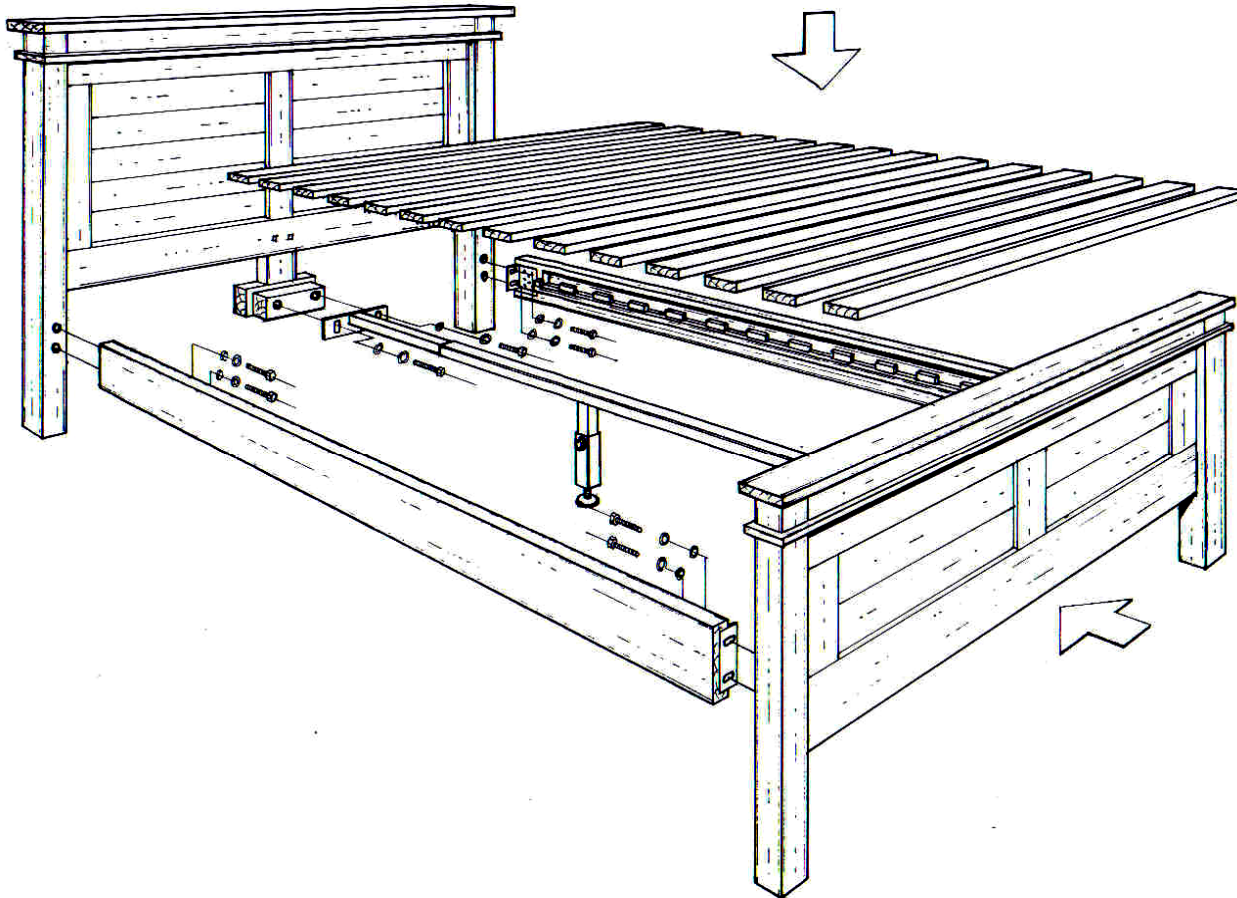


ASSEMBLY INSTRUCTIONS FOR PRODUCT CODE :

# SB18



A X 12



B X 12



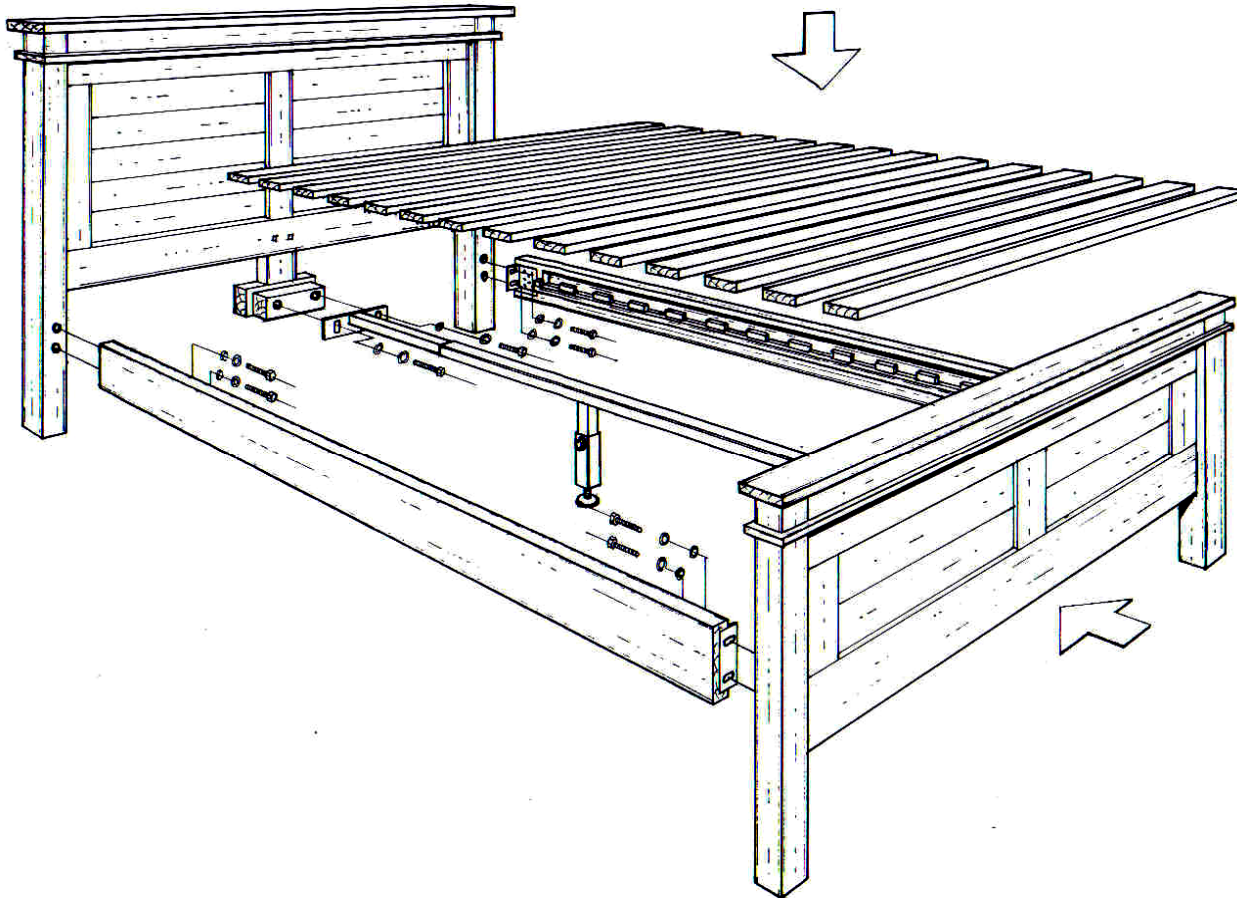
C X 12



THIS DRAWING AND DESIGN IS THE LEGAL INTELLECTUAL PROPERTY OF PLANTATION GROWN TIMBERS (INTERNATIONAL) LIMITED  
ANY ATTEMPT TO COPY IN PART OR FULL IS CONSIDERED THEFT AND WILL RESULT IN P.G.T. EXERCISING ITS LEGAL RIGHT UNDER THE LAW.

ASSEMBLY INSTRUCTIONS FOR PRODUCT CODE :

# SB13



A X 12



B X 12



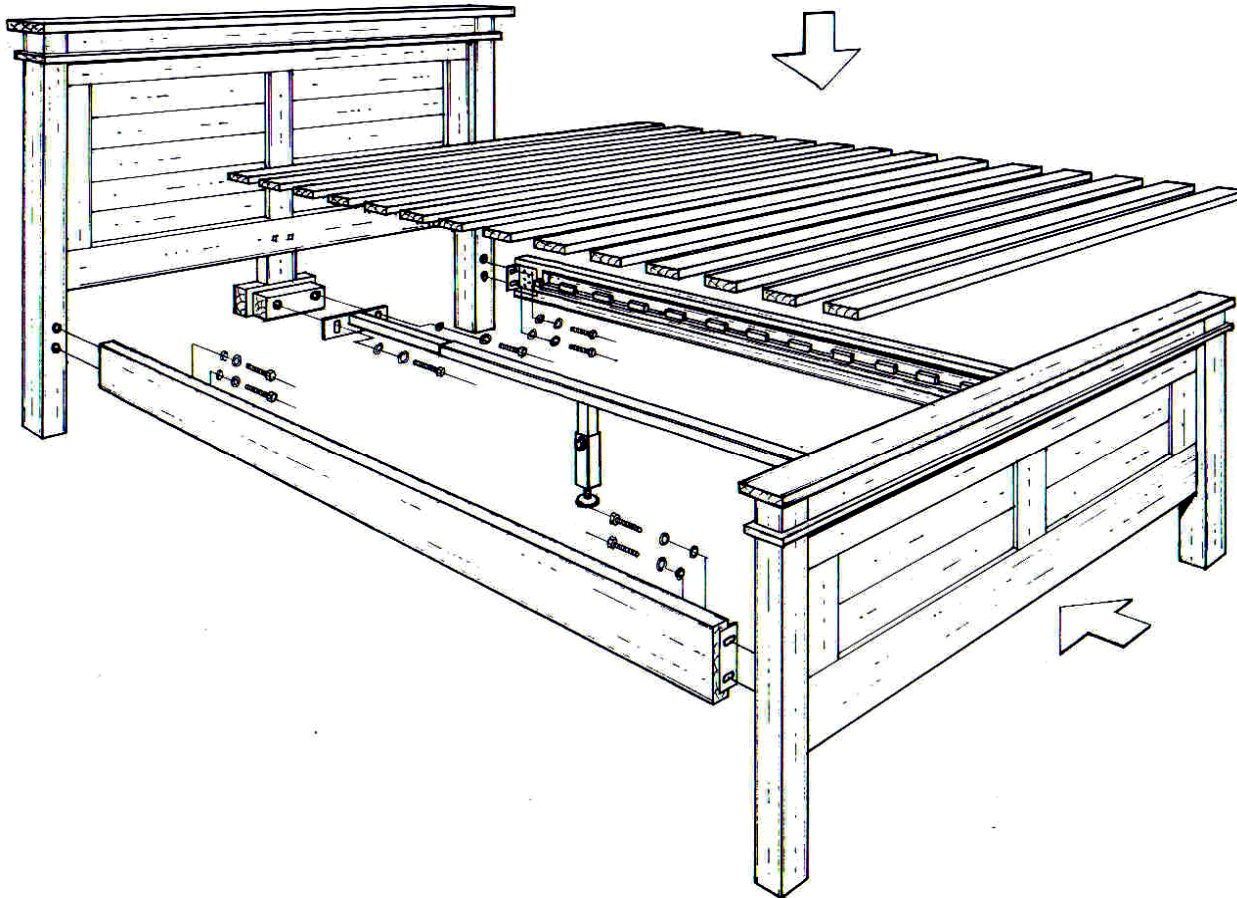
C X 12



THIS DRAWING AND DESIGN IS THE LEGAL INTELLECTUAL PROPERTY OF PLANTATION GROWN TIMBERS (INTERNATIONAL) LIMITED  
ANY ATTEMPT TO COPY IN PART OR FULL IS CONSIDERED THEFT AND WILL RESULT IN P.G.T. EXERCISING ITS LEGAL RIGHT UNDER THE LAW.

ASSEMBLY INSTRUCTIONS FOR PRODUCT CODE :

# SB14



A X 12



B X 12



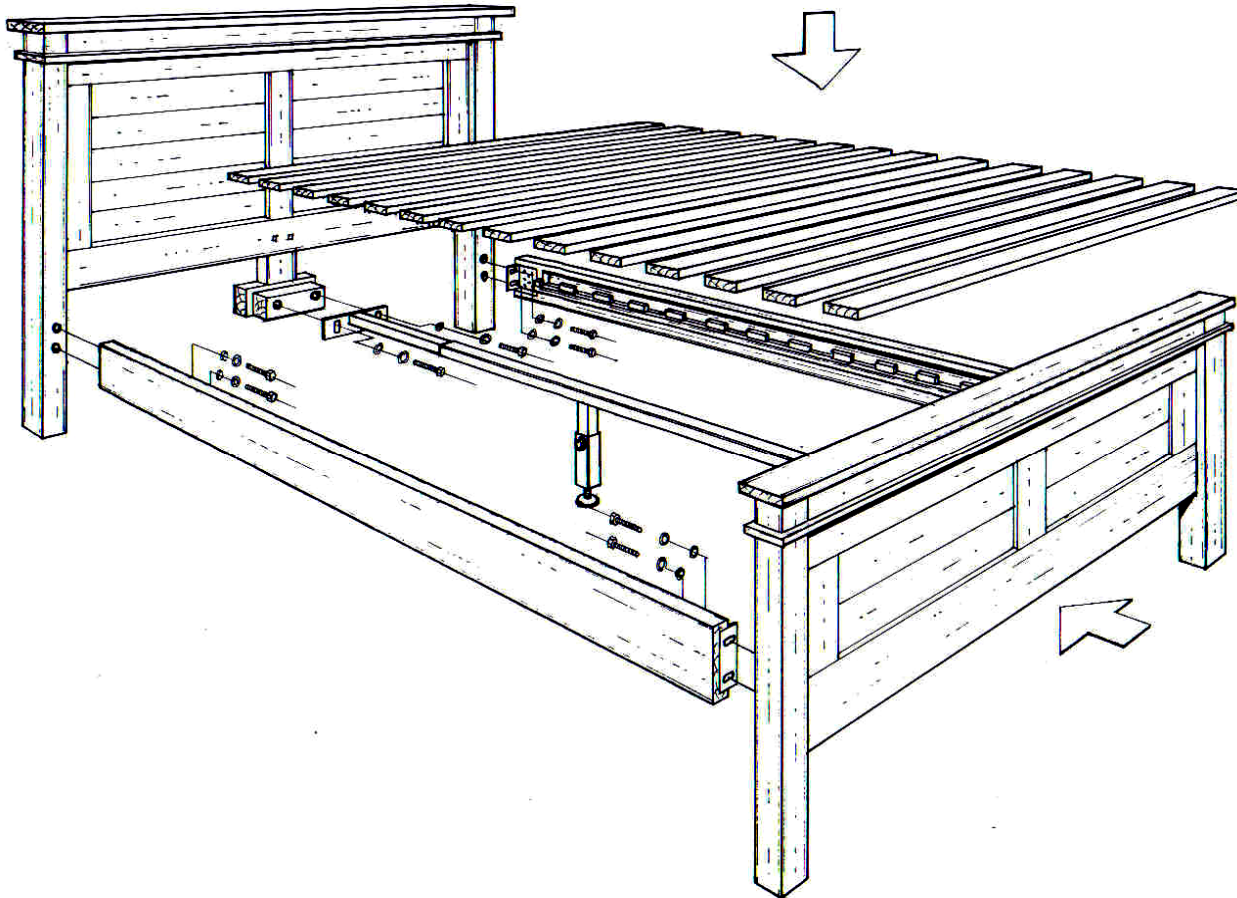
C X 12



THIS DRAWING AND DESIGN IS THE LEGAL INTELLECTUAL PROPERTY OF PLANTATION GROWN TIMBERS (INTERNATIONAL) LIMITED  
ANY ATTEMPT TO COPY IN PART OR FULL IS CONSIDERED THEFT AND WILL RESULT IN P.G.T. EXERCISING ITS LEGAL RIGHT UNDER THE LAW.

ASSEMBLY INSTRUCTIONS FOR PRODUCT CODE :

# SB15



A X 12



B X 12



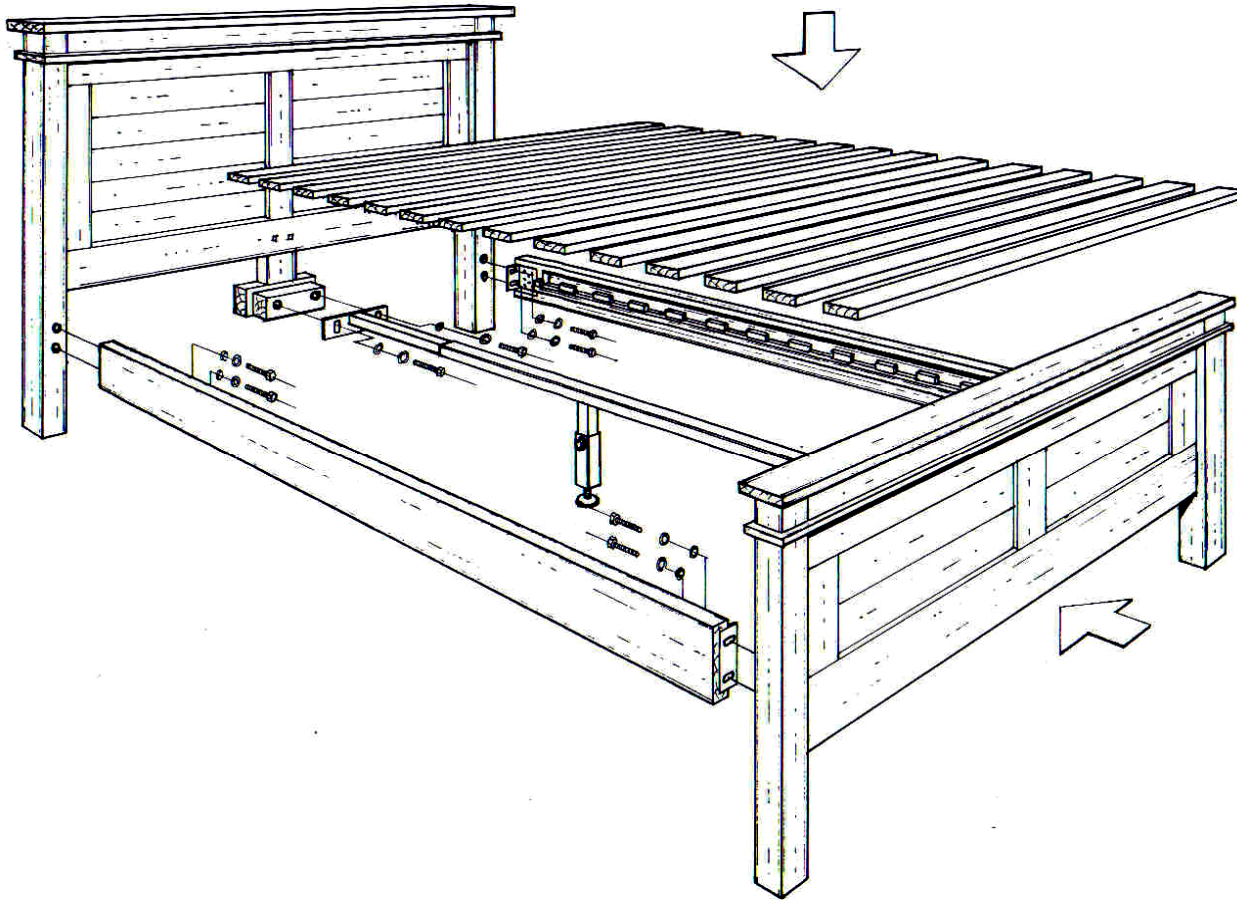
C X 12



THIS DRAWING AND DESIGN IS THE LEGAL INTELLECTUAL PROPERTY OF PLANTATION GROWN TIMBERS (INTERNATIONAL) LIMITED  
ANY ATTEMPT TO COPY IN PART OR FULL IS CONSIDERED THEFT AND WILL RESULT IN P.G.T. EXERCISING ITS LEGAL RIGHT UNDER THE LAW.

ASSEMBLY INSTRUCTIONS FOR PRODUCT CODE :

# SB16



A X 12



B X 12



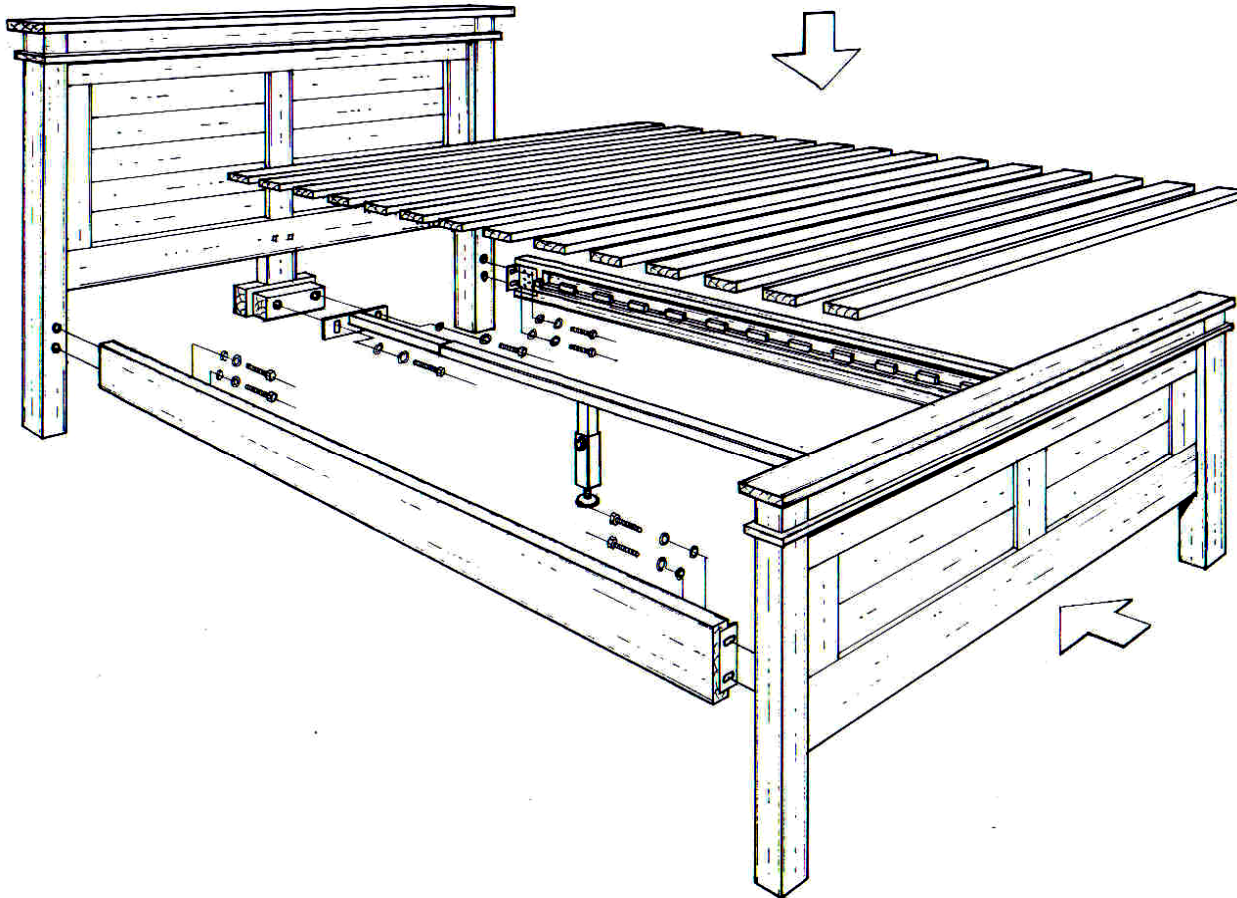
C X 12



THIS DRAWING AND DESIGN IS THE LEGAL INTELLECTUAL PROPERTY OF PLANTATION GROWN TIMBERS (INTERNATIONAL) LIMITED  
ANY ATTEMPT TO COPY IN PART OR FULL IS CONSIDERED THEFT AND WILL RESULT IN P.G.T. EXERCISING ITS LEGAL RIGHT UNDER THE LAW.

ASSEMBLY INSTRUCTIONS FOR PRODUCT CODE :

# SB17



A X 12



B X 12



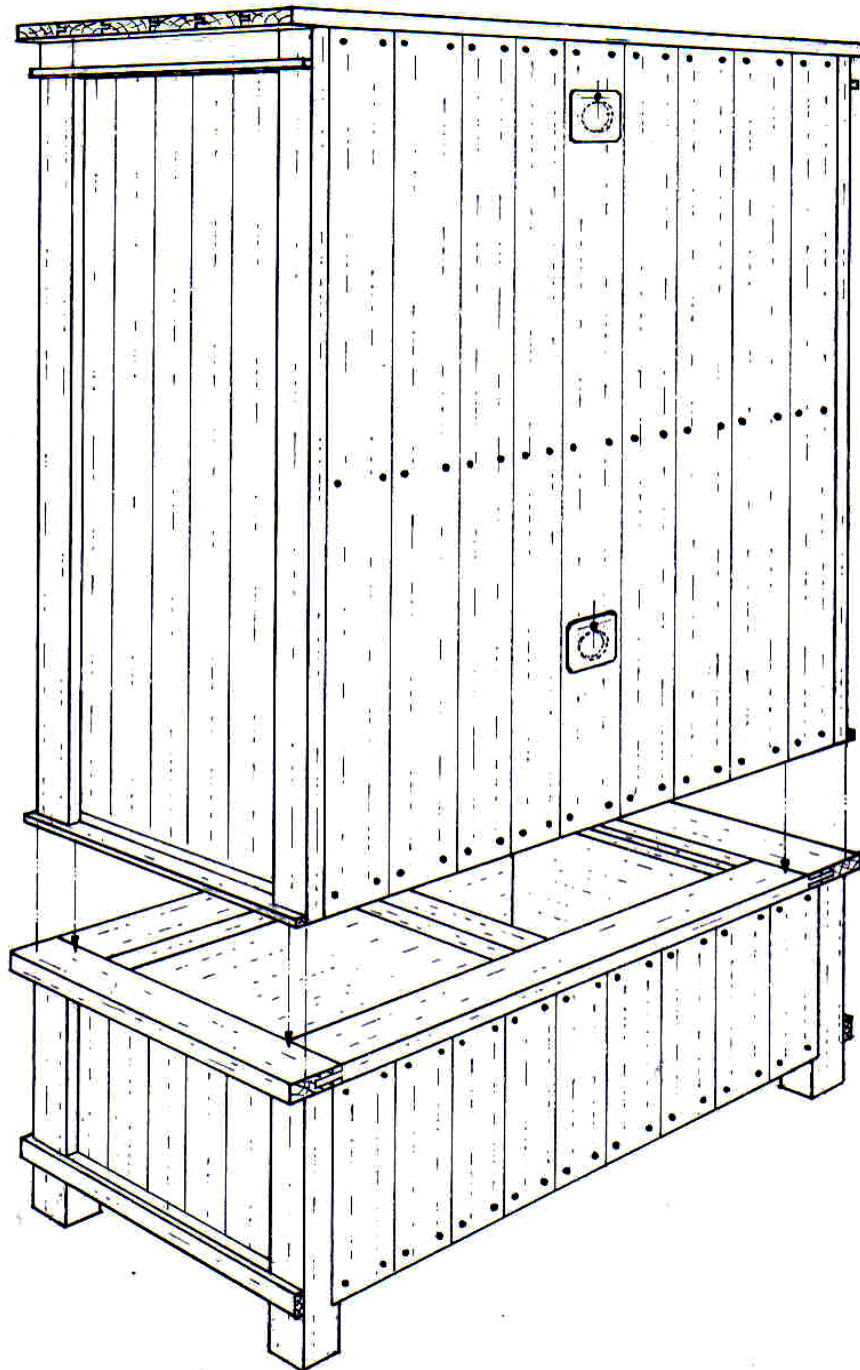
C X 12



THIS DRAWING AND DESIGN IS THE LEGAL INTELLECTUAL PROPERTY OF PLANTATION GROWN TIMBERS (INTERNATIONAL) LIMITED  
ANY ATTEMPT TO COPY IN PART OR FULL IS CONSIDERED THEFT AND WILL RESULT IN P.G.T. EXERCISING ITS LEGAL RIGHT UNDER THE LAW.

ASSEMBLY INSTRUCTION FOR PRODUCT CODE :

# SB07



A X 4



THIS DRAWING AND DESIGN IS THE LEGAL INTELLECTUAL PROPERTY OF PLANTATION GROWN TIMBERS (INTERNATIONAL) LIMITED  
ANY ATTEMPT TO COPY IN PART OR FULL IS CONSIDERED THEFT AND WILL RESULT IN P.G.T. EXERCISING ITS LEGAL RIGHT UNDER THE LAW